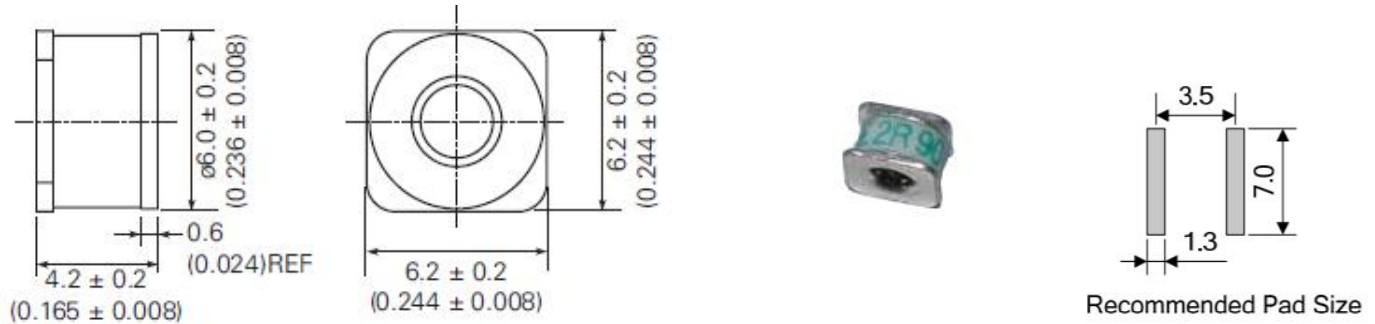


2-Electrode Gas Discharge Tubes

5KA



1: Dimension(mm)



2: Main Applications

- PCI Cards protection
- Telephone/Fax/Modem protection
- single line protection
- ADSL/XDSL Splitter, Power Supply
- Surge Protection Device/Surge Protector

3: Features

- 100% Lead-Free (RoHS Compliant)
- Non-Radioactive
- Low capacitance ($\leq 1\text{pF}$)
- Small size : Ø6.2*4.2mm
- Safety certification: File number: E505240

4 Electrical Characteristics

Part Number	DC Spark-over Voltage@ 100V/S	Impulse Spark-over Voltage @100V/ μs	Impulse Spark-over Voltage @1KV/ μs	Insulation Resistance	Impulse discharge current(8/20 μs)	AC discharge current (50Hz, 1s, 10times)	Capacitance (1MHz)	UL Certificate
	V	V	V	G Ω	10 Times	A	PF	UL File number
HA2R6-75MSMD	75 ±20%	<450	<550	>1	5KA	5	≤ 1	E505240
HA2R6-90MSMD	90 ±20%	<450	<550	>1	5KA	5	≤ 1	E505240
HA2R6-150MSMD	150 ±20%	<500	<600	>1	5KA	5	≤ 1	E505240
HA2R6-200MSMD	200 ±20%	<550	<650	>1	5KA	5	≤ 1	E505240
HA2R6-230MSMD	230 ±20%	<600	<700	>1	5KA	5	≤ 1	E505240
HA2R6-300MSMD	300 ±20%	<600	<700	>1	5KA	5	≤ 1	E505240
HA2R6-350MSMD	350 ±20%	<900	≤ 1000	>1	5KA	5	≤ 1	E505240
HA2R6-400MSMD	400 ±20%	<900	≤ 1000	>1	5KA	5	≤ 1	E505240
HA2R6-470MSMD	470 ±20%	<1050	≤ 1150	>1	5KA	5	≤ 1	E505240
HA2R6-600MSMD	600 ±20%	<1200	≤ 1300	>1	5KA	5	≤ 1	E505240

Specifications are subject to change without notice

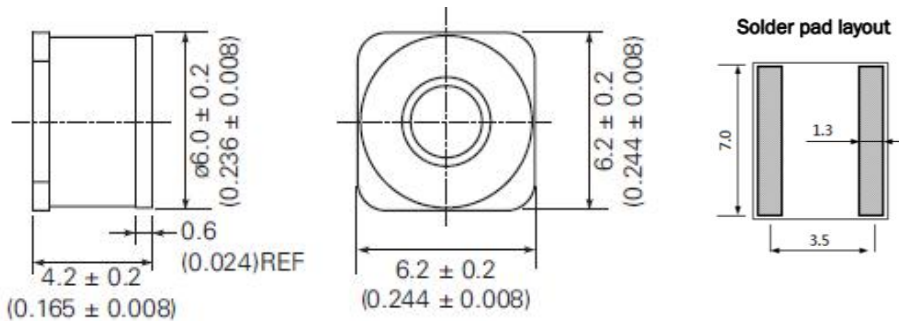
sales@huaandz.com

2-Electrode Gas Discharge Tubes

5KA



1: Dimension(mm)



2: Main Applications

- PCI Cards protection
- Telephone/Fax/Modem protection
- single line protection
- ADSL/XDSL Splitter, Power Supply
- Surge Protection Device/Surge Protector

3: Features

- 100% Lead-Free (RoHS Compliant)
- Non-Radioactive
- Low capacitance ($\leq 1\text{pF}$)
- Small size : Ø6.2*4.2mm
- Safety certification: File number: E505240

4 Electrical Characteristics

Part Number	DC Spark-over Voltage@ 100V/S	Impulse Spark-over Voltage @100V/ μs	Impulse Spark-over Voltage @1KV/ μs	Insulation Resistance	Impulse discharge current(8/20 μs)	AC discharge current (50Hz, 1s, 10times)	Capacitance (1MHz)	UL Certificate
	V	V	V	G Ω	10 Times	A	PF	UL File number
HA2R6-75HSMD	75 $\pm 20\%$	<450	<550	>1	5KA	5	≤ 1	E505240
HA2R6-90HSMD	90 $\pm 20\%$	<450	<550	>1	5KA	5	≤ 1	E505240
HA2R6-150HSMD	150 $\pm 20\%$	<500	<600	>1	5KA	5	≤ 1	E505240
HA2R6-200HSMD	200 $\pm 20\%$	<550	<650	>1	5KA	5	≤ 1	E505240
HA2R6-230HSMD	230 $\pm 20\%$	<600	<700	>1	5KA	5	≤ 1	E505240
HA2R6-300HSMD	300 $\pm 20\%$	<600	<700	>1	5KA	5	≤ 1	E505240
HA2R6-350HSMD	350 $\pm 20\%$	<900	≤ 1000	>1	5KA	5	≤ 1	E505240
HA2R6-400HSMD	400 $\pm 20\%$	<900	≤ 1000	>1	5KA	5	≤ 1	E505240
HA2R6-470HSMD	470 $\pm 20\%$	<1050	≤ 1150	>1	5KA	5	≤ 1	E505240
HA2R6-600HSMD	600 $\pm 20\%$	<1200	≤ 1300	>1	5KA	5	≤ 1	E505240

Specifications are subject to change without notice

sales@huaandz.com