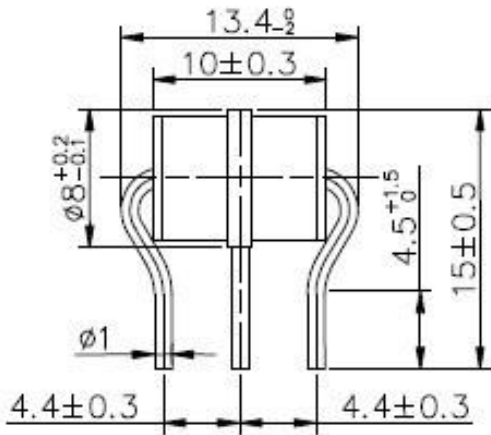


2-Electrode Gas Discharge Tubes

10KA



1: Dimension(mm)



2: Main Applications

- PCI Cards protection
- Telephone/Fax/Modem protection
- single line protection
- ADSL/XDSL Splitter, Power Supply
- Surge Protection Device/Surge Protector

3: Features

- 100% Lead-Free (RoHS Compliant)
- Non-Radioactive
- Low capacitance ($\leq 1\text{pF}$)
- Small size : Ø8*10(mm)
- Safety certification: File number: E505240

4 Electrical Characteristics

Part Number	DC Spark-over Voltage@ 100V/S	Impulse Spark-over Voltage @100V/ μs	Impulse Spark-over Voltage @1KV/ μs	Insulation Resistance	Impulse discharge current(8/20 μs)	AC discharge current (50Hz, 1s, 10times)	Capacitance (1MHz)	UL Certificate
	V	V	V	G Ω	10 Times	A	PF	UL File number
HA3R8-75	75 $\pm 20\%$	<450	<550	>1	10KA	10	≤ 1	E505240
HA3R8-90	90 $\pm 20\%$	<450	<550	>1	10KA	10	≤ 1	E505240
HA3R8-150	150 $\pm 20\%$	<500	<600	>1	10KA	10	≤ 1	E505240
HA3R8-230	230 $\pm 20\%$	<600	<700	>1	10KA	10	≤ 1	E505240
HA3R8-250	250 $\pm 20\%$	<600	<700	>1	10KA	10	≤ 1	E505240
HA3R8-300	300 $\pm 20\%$	<600	<700	>1	10KA	10	≤ 1	E505240
HA3R8-350	350 $\pm 20\%$	<900	≤ 1000	>1	10KA	10	≤ 1	E505240
HA3R8-400	400 $\pm 20\%$	<900	≤ 1000	>1	10KA	10	≤ 1	E505240
HA3R8-420	420 $\pm 20\%$	<900	≤ 1000	>1	10KA	10	≤ 1	E505240
HA3R8-470	470 $\pm 20\%$	<1050	≤ 1150	>1	10KA	10	≤ 1	E505240
HA3R8-600	600 $\pm 20\%$	<1200	≤ 1300	>1	10KA	10	≤ 1	E505240

Specifications are subject to change without notice

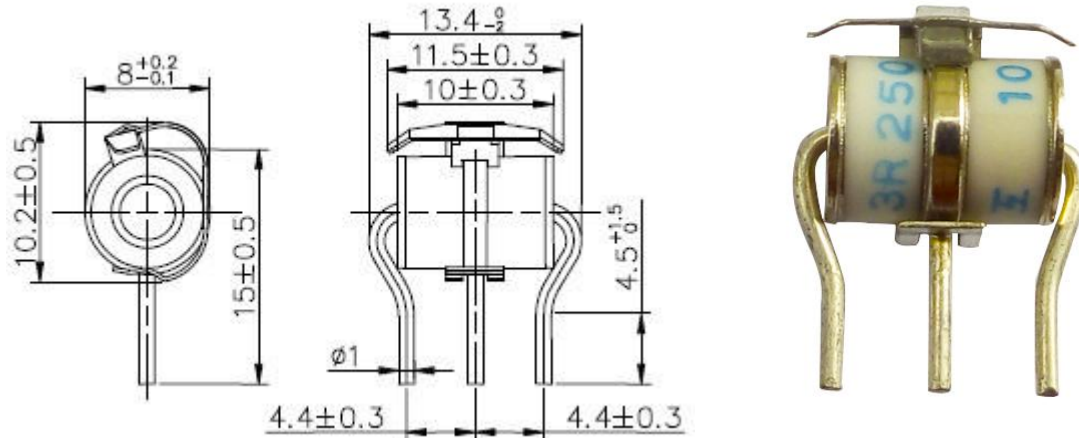
sales@huaandz.com

2-Electrode Gas Discharge Tubes

10KA With Fail-safe



1: Dimension(mm)



2:Main Applications

- PCI Cards protection
- Telephone/Fax/Modem protection
- single line protection
- ADSL/XDSL Splitter,Power Supply
- Surge Protection Device/Surge Protector

3:Features

- 100% Lead-Free(RoHs Compliant)
- Non-Radioactive
- Low capacitance ($\leq 1\text{pF}$)
- Small size :Ø8*10(mm)
- Safety certification: File number: E505240

4 Electrical Characteristics

Part Number	DC Spark-over Voltage@100V/S	Impulse Spark-over Voltage @100V/ μs	Impulse Spark-over Voltage @1KV/ μs	Insulation Resistance	Impulse discharge current(8/20 μs)	AC discharge current (50Hz,1s,10times)	Capacitance (1MHz)	UL Certificate
	V	V	V	G Ω	10 Times	A	PF	UL File number
HA3R8-75F2	75 $\pm 20\%$	<450	<550	>1	10KA	10	≤ 1	E505240
HA3R8-90F2	90 $\pm 20\%$	<450	<550	>1	10KA	10	≤ 1	E505240
HA3R8-150F2	150 $\pm 20\%$	<500	<600	>1	10KA	10	≤ 1	E505240
HA3R8-230F2	230 $\pm 20\%$	<600	<700	>1	10KA	10	≤ 1	E505240
HA3R8-250F2	250 $\pm 20\%$	<600	<700	>1	10KA	10	≤ 1	E505240
HA3R8-300F2	300 $\pm 20\%$	<600	<700	>1	10KA	10	≤ 1	E505240
HA3R8-350F2	350 $\pm 20\%$	<900	≤ 1000	>1	10KA	10	≤ 1	E505240
HA3R8-400F2	400 $\pm 20\%$	<900	≤ 1000	>1	10KA	10	≤ 1	E505240
HA3R8-420F2	420 $\pm 20\%$	<900	≤ 1000	>1	10KA	10	≤ 1	E505240
HA3R8-470F2	470 $\pm 20\%$	<1050	≤ 1150	>1	10KA	10	≤ 1	E505240
HA3R8-600F2	600 $\pm 20\%$	<1200	≤ 1300	>1	10KA	10	≤ 1	E505240

Specifications are subject to change without notice

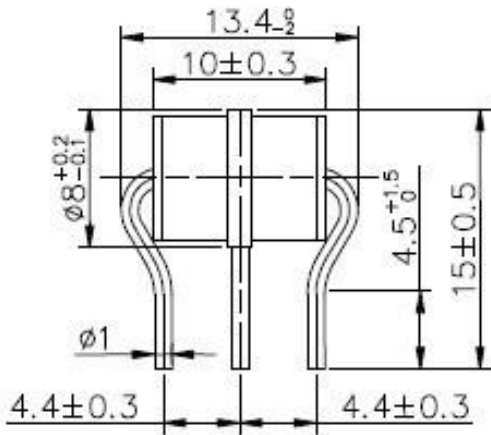
sales@huaandz.com

2-Electrode Gas Discharge Tubes

20KA



1: Dimension(mm)



2: Main Applications

- PCI Cards protection
- Telephone/Fax/Modem protection
- single line protection
- ADSL/XDSL Splitter, Power Supply
- Surge Protection Device/Surge Protector

3: Features

- 100% Lead-Free (RoHS Compliant)
- Non-Radioactive
- Low capacitance ($\leq 1\text{pF}$)
- Small size : Ø8*10(mm)
- Safety certification: File number: E505240

4 Electrical Characteristics

Part Number	DC Spark-over Voltage@ 100V/S	Impulse Spark-over Voltage @100V/ μs	Impulse Spark-over Voltage @1KV/ μs	Insulation Resistance	Impulse discharge current(8/20 μs)	AC discharge current (50Hz, 1s, 10times)	Capacitance (1MHz)	UL Certificate
	V	V	V	G Ω	10 Times	A	PF	UL File number
HA3R8-75H	75 $\pm 20\%$	<450	<550	>1	20KA	20	≤ 1	E505240
HA3R8-90H	90 $\pm 20\%$	<450	<550	>1	20KA	20	≤ 1	E505240
HA3R8-150H	150 $\pm 20\%$	<500	<600	>1	20KA	20	≤ 1	E505240
HA3R8-230H	230 $\pm 20\%$	<600	<700	>1	20KA	20	≤ 1	E505240
HA3R8-250H	250 $\pm 20\%$	<600	<700	>1	20KA	20	≤ 1	E505240
HA3R8-300H	300 $\pm 20\%$	<600	<700	>1	20KA	20	≤ 1	E505240
HA3R8-350H	350 $\pm 20\%$	<900	≤ 1000	>1	20KA	20	≤ 1	E505240
HA3R8-400H	400 $\pm 20\%$	<900	≤ 1000	>1	20KA	20	≤ 1	E505240
HA3R8-420H	420 $\pm 20\%$	<900	≤ 1000	>1	20KA	20	≤ 1	E505240
HA3R8-470H	470 $\pm 20\%$	<1050	≤ 1150	>1	20KA	20	≤ 1	E505240
HA3R8-600H	600 $\pm 20\%$	<1200	≤ 1300	>1	20KA	20	≤ 1	E505240

Specifications are subject to change without notice

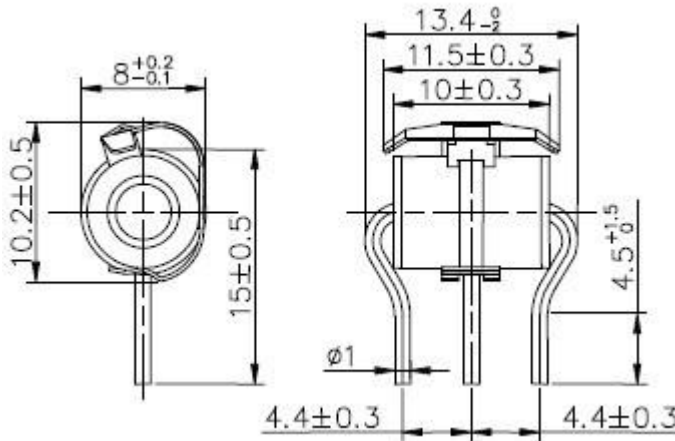
sales@huaandz.com

2-Electrode Gas Discharge Tubes

20KA With Fail-safe



1: Dimension(mm)



2:Main Applications	3:Features
<ul style="list-style-type: none"> •PCI Cards protection •Telephone/Fax/Modem protection •single line protection •ADSL/XDSL Splitter,Power Supply •Surge Protection Device/Surge Protector 	<ul style="list-style-type: none"> •100% Lead-Free(RoHs Compliant) •Non-Radioactive •Low capacitance (≤1pF) •Small size :Ø8*10(mm) •Safety certification: File number: E505240

4 Electrical Characteristics

Part Number	DC Spark-over Voltage@ 100V/S	Impulse Spark-over Voltage @100V/μs	Impulse Spark-over Voltage @1KV/μs	Insulation Resistance	Impulse discharge current(8/20 μs)	AC discharge current (50Hz,1s,10times)	Capacitance (1MHz)	UL Certificate
	V	V	V	GΩ	10 Times	A	PF	UL File number
HA3R8-75HF2	75 ±20%	<450	<550	>1	20KA	20	≤1	E505240
HA3R8-90HF2	90 ±20%	<450	<550	>1	20KA	20	≤1	E505240
HA3R8-150HF2	150 ±20%	<500	<600	>1	20KA	20	≤1	E505240
HA3R8-230HF2	230 ±20%	<600	<700	>1	20KA	20	≤1	E505240
HA3R8-250HF2	250 ±20%	<600	<700	>1	20KA	20	≤1	E505240
HA3R8-300HF2	300 ±20%	<600	<700	>1	20KA	20	≤1	E505240
HA3R8-350HF2	350 ±20%	<900	≤ 1000	>1	20KA	20	≤1	E505240
HA3R8-400HF2	400 ±20%	<900	≤ 1000	>1	20KA	20	≤1	E505240
HA3R8-420HF2	420 ±20%	<900	≤ 1000	>1	20KA	20	≤1	E505240
HA3R8-470HF2	470 ±20%	<1050	≤ 1150	>1	20KA	20	≤1	E505240
HA3R8-600HF2	600 ±20%	<1200	≤ 1300	>1	20KA	20	≤1	E505240

Specifications are subject to change without notice

sales@huaandz.com