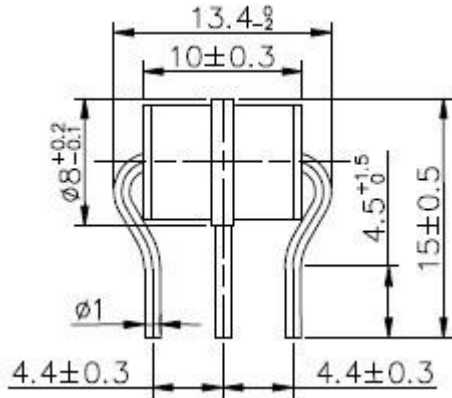


## 3-Electrode Gas Discharge Tubes

10KA

### 1: Dimension(mm)



### 2: Main Applications

- PCI Cards protection
- Telephone/Fax/Modem protection
- single line protection
- ADSL/XDSL Splitter, Power Supply
- Surge Protection Device/Surge Protector

- 100% Lead-Free (RoHS Compliant)
- Non-Radioactive
- Low capacitance ( $\leq 1\text{pF}$ )
- Fast Response-time, High Insulation Resistance.
- Small size :Ø8x10(mm)

### 4 Electrical Characteristics

Part Number	DC Spark-over Voltage @ 100V/S	Impulse Spark-over Voltage @100V/ $\mu\text{s}$	Impulse Spark-over Voltage @1KV/ $\mu\text{s}$	Insulation Resistance	Impulse discharge current(8/20 $\mu\text{s}$ )	AC discharge current (50Hz, 1s, 10times)	Capacitance (1MHz)
	V	V	V	G $\Omega$	10 Times	A	PF
<b>H3R8-75</b>	75±20%	<500	<600	>1	10KA	10	$\leq 1$
<b>H3R8-90</b>	90±20%	<500	<600	>1	10KA	10	$\leq 1$
<b>H3R8-150</b>	150±20%	<500	<600	>1	10KA	10	$\leq 1$
<b>H3R8-230</b>	230±20%	<600	<700	>1	10KA	10	$\leq 1$
<b>H3R8-250</b>	250±20%	<600	<700	>1	10KA	10	$\leq 1$
<b>H3R8-350</b>	350±20%	<900	$\leq 1000$	>1	10KA	10	$\leq 1$
<b>H3R8-420</b>	420±20%	<900	$\leq 1000$	>1	10KA	10	$\leq 1$
<b>H3R8-470</b>	470±20%	<1100	$\leq 1200$	>1	10KA	10	$\leq 1$
<b>H3R8-600</b>	600±20%	<1200	$\leq 1300$	>1	10KA	10	$\leq 1$
<b>H3R8-800</b>	800±20%	<1300	$\leq 1400$	>1	10KA	10	$\leq 1$

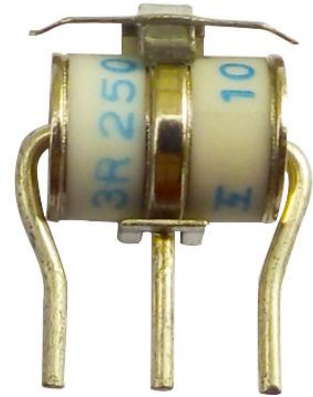
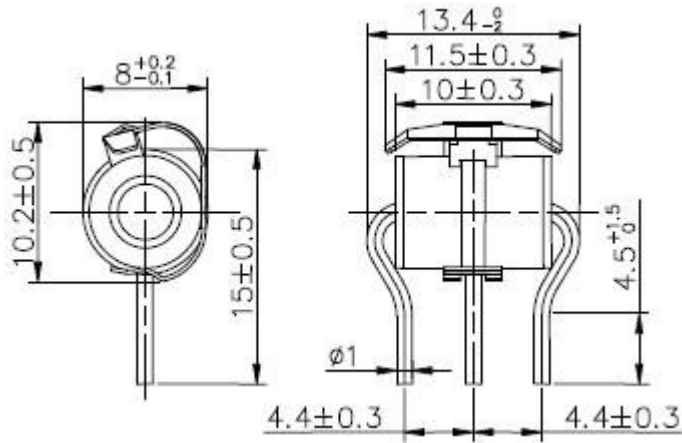
Specifications are subject to change without notice

sales@huaandz.com

1: Dimension(mm)

continued

10KA



With Fail-safe

2 Electrical Characteristics

Part Number	DC Spark-over Voltage @ 100V/S	Impulse Spark-over Voltage @100V/μs	Impulse Spark-over Voltage @1KV/μs	Insulation Resistance	Impulse discharge current(8/20μs)	AC discharge current (50Hz, 1s, 10times)	Capacitance (1MHz)
With Fail-safe	V	V	V	GΩ	10 Times	A	PF
<b>H3R8-75F2</b>	75±20%	<450	<550	>1	10KA	10	≤1
<b>H3R8-90F2</b>	90±20%	<500	<600	>1	10KA	10	≤1
<b>H3R8-150F2</b>	150±20%	<500	<600	>1	10KA	10	≤1
<b>H3R8-230F2</b>	230±20%	<600	<700	>1	10KA	10	≤1
<b>H3R8-250F2</b>	250±20%	<600	<700	>1	10KA	10	≤1
<b>H3R8-350F2</b>	350±20%	<900	≤ 1000	>1	10KA	10	≤1
<b>H3R8-420F2</b>	420±20%	<900	≤ 1000	>1	10KA	10	≤1
<b>H3R8-470F2</b>	470±20%	<1100	≤ 1200	>1	10KA	10	≤1
<b>H3R8-600F2</b>	600±20%	<1200	≤ 1300	>1	10KA	10	≤1
<b>H3R8-800F2</b>	800±20%	<1300	≤ 1400	>1	10KA	10	≤1

Packing Quantity : 100PCS

Specifications are subject to change without notice

sales@huaandz.com