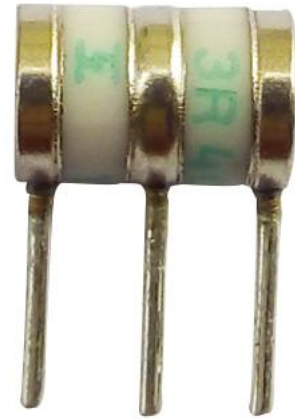
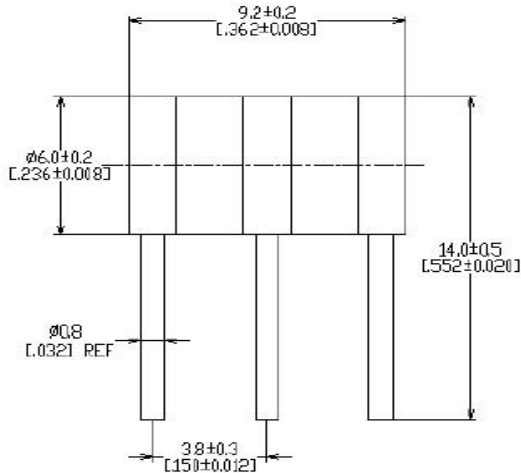


3-Electrode Gas Discharge Tubes

10KA



1: Dimension(mm)



2: Main Applications

- PCI Cards protection
- Telephone/Fax/Modem protection
- single line protection
- ADSL/XDSL Splitter, Power Supply
- Surge Protection Device/Surge Protector

3: Features

- 100% Lead-Free (RoHS Compliant)
- Non-Radioactive
- Low capacitance ($\leq 1\text{pF}$)
- Small size : Ø6*9.2(mm)
- Safety certification: File number: E505240

4 Electrical Characteristics

Part Number	DC Spark-over Voltage@ 100V/S	Impulse Spark-over Voltage @100V/ μs	Impulse Spark-over Voltage @1KV/ μs	Insulation Resistance	Impulse discharge current(8/20 μs)	AC discharge current (50Hz, 1s, 10times)	Capacitance (1MHz)	UL Certificate
	V	V	V	G Ω	10 Times	A	PF	UL File number
HA3R6-75M	75 $\pm 20\%$	<450	<550	>1	10KA	10	≤ 1	E505240
HA3R6-90M	90 $\pm 20\%$	<450	<550	>1	10KA	10	≤ 1	E505240
HA3R6-150M	150 $\pm 20\%$	<500	<600	>1	10KA	10	≤ 1	E505240
HA3R6-230M	230 $\pm 20\%$	<600	<700	>1	10KA	10	≤ 1	E505240
HA3R6-250M	250 $\pm 20\%$	<600	<700	>1	10KA	10	≤ 1	E505240
HA3R6-300M	300 $\pm 20\%$	<600	<700	>1	10KA	10	≤ 1	E505240
HA3R6-350M	350 $\pm 20\%$	<900	≤ 1000	>1	10KA	10	≤ 1	E505240
HA3R6-400M	400 $\pm 20\%$	<900	≤ 1000	>1	10KA	10	≤ 1	E505240
HA3R6-420M	420 $\pm 20\%$	<900	≤ 1000	>1	10KA	10	≤ 1	E505240
HA3R6-470M	470 $\pm 20\%$	<1050	≤ 1150	>1	10KA	10	≤ 1	E505240
HA3R6-600M	600 $\pm 20\%$	<1200	≤ 1300	>1	10KA	10	≤ 1	E505240

Specifications are subject to change without notice

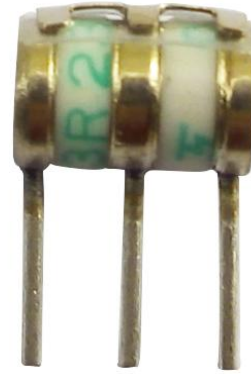
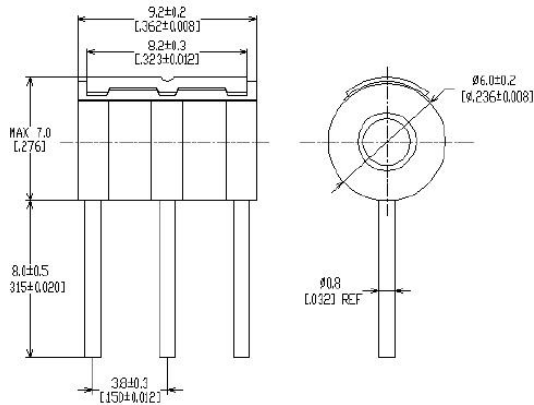
sales@huaandz.com

3-Electrode Gas Discharge Tubes

10KA With Fail-safe



1: Dimension(mm)



2: Main Applications

- PCI Cards protection
- Telephone/Fax/Modem protection
- single line protection
- ADSL/XDSL Splitter, Power Supply
- Surge Protection Device/Surge Protector

3: Features

- 100% Lead-Free (RoHS Compliant)
- Non-Radioactive
- Low capacitance ($\leq 1\text{pF}$)
- Small size : Ø6*9.2(mm)
- Safety certification: File number: E505240

4 Electrical Characteristics

Part Number	DC Spark-over Voltage@ 100V/S	Impulse Spark-over Voltage @100V/ μs	Impulse Spark-over Voltage @1KV/ μs	Insulation Resistance	Impulse discharge current(8/20 μs)	AC discharge current (50Hz, 1s, 10times)	Capacitance (1MHz)	UL Certificate
	V	V	V	G Ω	10 Times	A	PF	UL File number
HA3R6-75MF	75 $\pm 20\%$	<450	<550	>1	10KA	10	≤ 1	E505240
HA3R6-90MF	90 $\pm 20\%$	<450	<550	>1	10KA	10	≤ 1	E505240
HA3R6-150MF	150 $\pm 20\%$	<500	<600	>1	10KA	10	≤ 1	E505240
HA3R6-230MF	230 $\pm 20\%$	<600	<700	>1	10KA	10	≤ 1	E505240
HA3R6-250MF	250 $\pm 20\%$	<600	<700	>1	10KA	10	≤ 1	E505240
HA3R6-300MF	300 $\pm 20\%$	<600	<700	>1	10KA	10	≤ 1	E505240
HA3R6-350MF	350 $\pm 20\%$	<900	≤ 1000	>1	10KA	10	≤ 1	E505240
HA3R6-400MF	400 $\pm 20\%$	<900	≤ 1000	>1	10KA	10	≤ 1	E505240
HA3R6-420MF	420 $\pm 20\%$	<900	≤ 1000	>1	10KA	10	≤ 1	E505240
HA3R6-470MF	470 $\pm 20\%$	<1050	≤ 1150	>1	10KA	10	≤ 1	E505240
HA3R6-600MF	600 $\pm 20\%$	<1200	≤ 1300	>1	10KA	10	≤ 1	E505240

Specifications are subject to change without notice

sales@huaandz.com