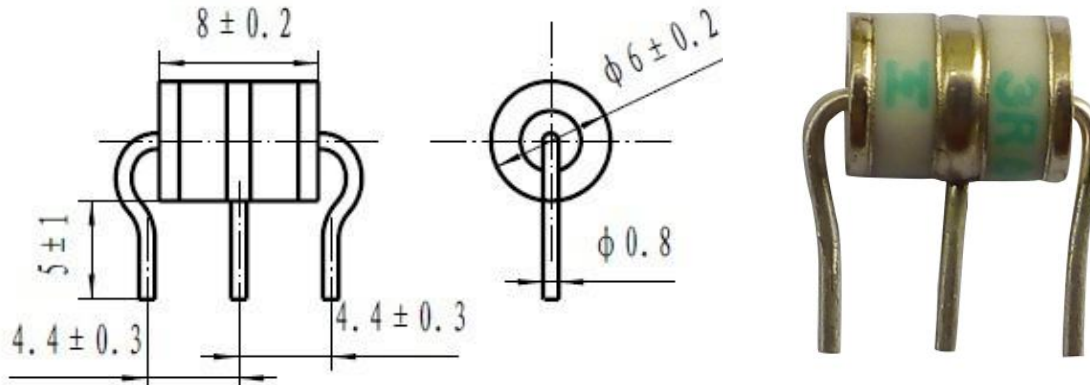


## 2-Electrode Gas Discharge Tubes

10KA



### 1: Dimension(mm)



### 2: Main Applications

- PCI Cards protection
- Telephone/Fax/Modem protection
- single line protection
- ADSL/XDSL Splitter, Power Supply
- Surge Protection Device/Surge Protector

### 3: Features

- 100% Lead-Free (RoHS Compliant)
- Non-Radioactive
- Low capacitance ( $\leq 1\text{pF}$ )
- Small size : Ø6\*8(mm)
- Safety certification: File number: E505240

### 4 Electrical Characteristics

Part Number	DC Spark-over Voltage@ 100V/S	Impulse Spark-over Voltage @100V/ $\mu\text{s}$	Impulse Spark-over Voltage @1KV/ $\mu\text{s}$	Insulation Resistance	Impulse discharge current(8/20 $\mu\text{s}$ )	AC discharge current (50Hz, 1s, 10times)	Capacitance (1MHz)	UL Certificate
	V	V	V	G $\Omega$	10 Times	A	PF	UL File number
HA3R6-75	75 $\pm 20\%$	<450	<550	>1	10KA	10	$\leq 1$	E505240
HA3R6-90	90 $\pm 20\%$	<450	<550	>1	10KA	10	$\leq 1$	E505240
HA3R6-150	150 $\pm 20\%$	<500	<600	>1	10KA	10	$\leq 1$	E505240
HA3R6-200	200 $\pm 20\%$	<500	<600	>1	10KA	10	$\leq 1$	E505240
HA3R6-230	230 $\pm 20\%$	<600	<700	>1	10KA	10	$\leq 1$	E505240
HA3R6-250	250 $\pm 20\%$	<600	<700	>1	10KA	10	$\leq 1$	E505240
HA3R6-300	300 $\pm 20\%$	<600	<700	>1	10KA	10	$\leq 1$	E505240
HA3R6-350	350 $\pm 20\%$	<900	$\leq 1000$	>1	10KA	10	$\leq 1$	E505240
HA3R6-400	400 $\pm 20\%$	<900	$\leq 1000$	>1	10KA	10	$\leq 1$	E505240
HA3R6-420	420 $\pm 20\%$	<900	$\leq 1000$	>1	10KA	10	$\leq 1$	E505240
HA3R6-470	470 $\pm 20\%$	<1050	$\leq 1150$	>1	10KA	10	$\leq 1$	E505240
HA3R6-600	600 $\pm 20\%$	<1200	$\leq 1300$	>1	10KA	10	$\leq 1$	E505240

Packing Quantity : 100PCS

Specifications are subject to change without notice

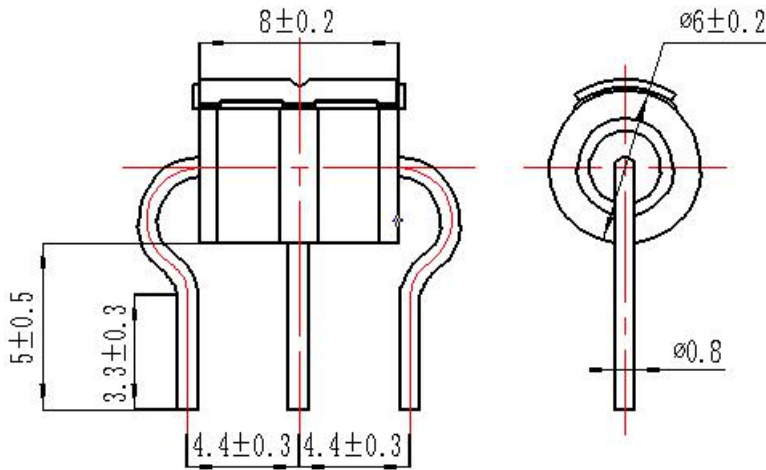
[sales@huaandz.com](mailto:sales@huaandz.com)

## 2-Electrode Gas Discharge Tubes

10KA With Fail-safe



### 1: Dimension(mm)



### 2: Main Applications

- PCI Cards protection
- Telephone/Fax/Modem protection
- single line protection
- ADSL/XDSL Splitter, Power Supply
- Surge Protection Device/Surge Protector

### 3: Features

- 100% Lead-Free (RoHS Compliant)
- Non-Radioactive
- Low capacitance ( $\leq 1\text{pF}$ )
- Small size : Ø6\*8(mm)
- Safety certification: File number: E505240

### 4 Electrical Characteristics

Part Number	DC Spark-over Voltage@ 100V/S	Impulse Spark-over Voltage @100V/ $\mu\text{s}$	Impulse Spark-over Voltage @1KV/ $\mu\text{s}$	Insulation Resistance	Impulse discharge current(8/20 $\mu\text{s}$ )	AC discharge current (50Hz, 1s, 10times)	Capacitance (1MHz)	UL Certificate
	V	V	V	G $\Omega$	10 Times	A	PF	UL File number
HA3R6-75F	75 $\pm 20\%$	<450	<550	>1	10KA	10	$\leq 1$	E505240
HA3R6-90F	90 $\pm 20\%$	<450	<550	>1	10KA	10	$\leq 1$	E505240
HA3R6-150F	150 $\pm 20\%$	<500	<600	>1	10KA	10	$\leq 1$	E505240
HA3R6-230F	230 $\pm 20\%$	<600	<700	>1	10KA	10	$\leq 1$	E505240
HA3R6-250F	250 $\pm 20\%$	<600	<700	>1	10KA	10	$\leq 1$	E505240
HA3R6-350F	350 $\pm 20\%$	<900	$\leq 1000$	>1	10KA	10	$\leq 1$	E505240
HA3R6-400F	400 $\pm 20\%$	<900	$\leq 1000$	>1	10KA	10	$\leq 1$	E505240
HA3R6-420F	420 $\pm 20\%$	<900	$\leq 1000$	>1	10KA	10	$\leq 1$	E505240
HA3R6-470F	470 $\pm 20\%$	<1050	$\leq 1150$	>1	10KA	10	$\leq 1$	E505240
HA3R6-600F	600 $\pm 20\%$	<1200	$\leq 1300$	>1	10KA	10	$\leq 1$	E505240

Packing Quantity : 100PCS

Specifications are subject to change without notice

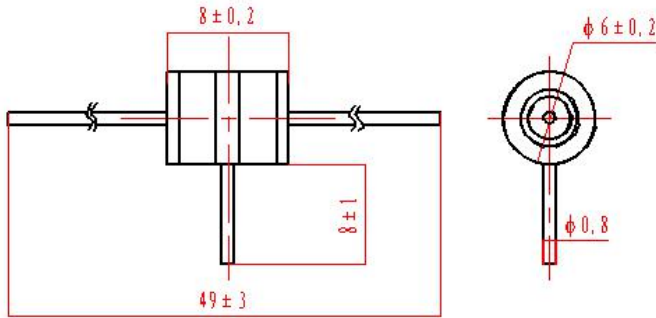
[sales@huaandz.com](mailto:sales@huaandz.com)

## 2-Electrode Gas Discharge Tubes

10KA



### 1: Dimension(mm)



### 2: Main Applications

- PCI Cards protection
- Telephone/Fax/Modem protection
- single line protection
- ADSL/XDSL Splitter, Power Supply
- Surge Protection Device/Surge Protector

### 3: Features

- 100% Lead-Free (RoHS Compliant)
- Non-Radioactive
- Low capacitance ( $\leq 1\text{pF}$ )
- Small size : Ø6\*8(mm)
- Safety certification: File number: E505240

### 4 Electrical Characteristics

Part Number	DC Spark-over Voltage@ 100V/S	Impulse Spark-over Voltage @100V/ $\mu\text{s}$	Impulse Spark-over Voltage @1KV/ $\mu\text{s}$	Insulation Resistance	Impulse discharge current(8/20 $\mu\text{s}$ )	AC discharge current (50Hz, 1s, 10times)	Capacitance (1MHz)	UL Certificate
	V	V	V	G $\Omega$	10 Times	A	PF	UL File number
HA3R6-75MT	75 $\pm 20\%$	<450	<550	>1	10KA	10	$\leq 1$	E505240
HA3R6-90MT	90 $\pm 20\%$	<450	<550	>1	10KA	10	$\leq 1$	E505240
HA3R6-150MT	150 $\pm 20\%$	<500	<600	>1	10KA	10	$\leq 1$	E505240
HA3R6-200MT	200 $\pm 20\%$	<500	<600	>1	10KA	10	$\leq 1$	E505240
HA3R6-230MT	230 $\pm 20\%$	<500	<600	>1	10KA	10	$\leq 1$	E505240
HA3R6-250MT	250 $\pm 20\%$	<600	<700	>1	10KA	10	$\leq 1$	E505240
HA3R6-300MT	300 $\pm 20\%$	<600	<700	>1	10KA	10	$\leq 1$	E505240
HA3R6-350MT	350 $\pm 20\%$	<900	$\leq 1000$	>1	10KA	10	$\leq 1$	E505240
HA3R6-400MT	400 $\pm 20\%$	<900	$\leq 1000$	>1	10KA	10	$\leq 1$	E505240
HA3R6-420MT	420 $\pm 20\%$	<900	$\leq 1000$	>1	10KA	10	$\leq 1$	E505240
HA3R6-470MT	470 $\pm 20\%$	<1050	$\leq 1150$	>1	10KA	10	$\leq 1$	E505240
HA3R6-600MT	600 $\pm 20\%$	<1200	$\leq 1300$	>1	10KA	10	$\leq 1$	E505240

Packing Quantity : 100PCS

Specifications are subject to change without notice

[sales@huaandz.com](mailto:sales@huaandz.com)