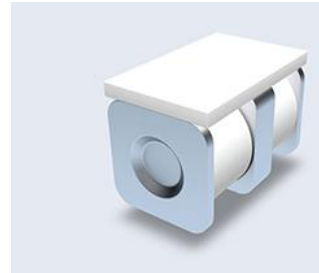
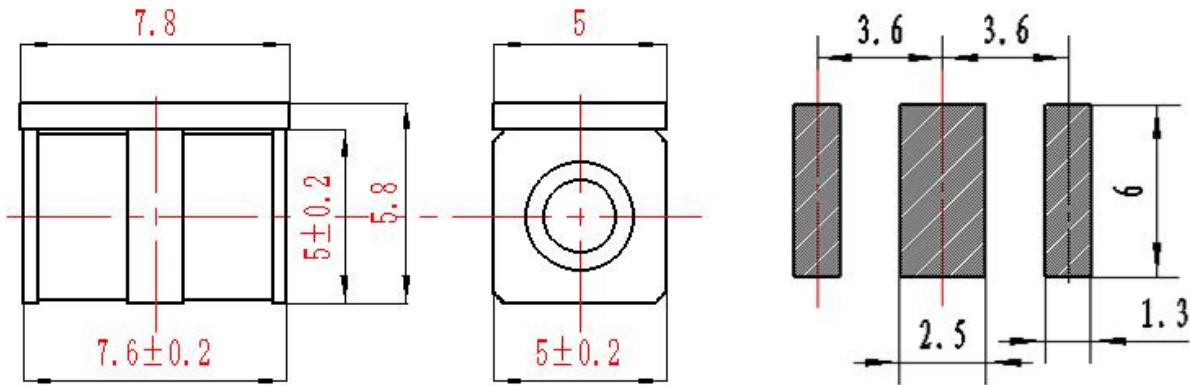


2-Electrode Gas Discharge Tubes

5KA



1: Dimension(mm)



2: Main Applications

- PCI Cards protection
- Telephone/Fax/Modem protection
- single line protection
- ADSL/XDSL Splitter, Power Supply
- Surge Protection Device/Surge Protector

3: Features

- 100% Lead-Free (RoHS Compliant)
- Non-Radioactive
- Low capacitance ($\leq 1\text{pF}$)
- Small size : Ø5x7.8(mm)
- Safety certification File number: E505240

4 Electrical Characteristics

Part Number	DC Spark-over Voltage@ 100V/S	Impulse Spark-over Voltage @100V/ μs	Impulse Spark-over Voltage @1KV/ μs	Insulation Resistance	Impulse discharge current(8/20 μs)	AC discharge current (50Hz, 1s, 10times)	Capacitance (1MHz)	UL Certificate
	V	V	V	G Ω	10 Times	A	PF	UL File number
HA3R5-75SMDF	75 $\pm 20\%$	<450	<550	>1	5KA	5	≤ 1	E505240
HA3R5-90SMDF	90 $\pm 20\%$	<450	<550	>1	5KA	5	≤ 1	E505240
HA3R5-150SMDF	150 $\pm 20\%$	<500	<600	>1	5KA	5	≤ 1	E505240
HA3R5-200SMDF	200 $\pm 20\%$	<500	<600	>1	5KA	5	≤ 1	E505240
HA3R5-230SMDF	230 $\pm 20\%$	<600	<700	>1	5KA	5	≤ 1	E505240
HA3R5-250SMDF	250 $\pm 20\%$	<600	<700	>1	5KA	5	≤ 1	E505240
HA3R5-300SMDF	300 $\pm 20\%$	<600	<700	>1	5KA	5	≤ 1	E505240
HA3R5-350SMDF	350 $\pm 20\%$	<900	≤ 1000	>1	5KA	5	≤ 1	E505240
HA3R5-400SMDF	400 $\pm 20\%$	<900	≤ 1000	>1	5KA	5	≤ 1	E505240
HA3R5-420SMDF	420 $\pm 20\%$	<900	≤ 1000	>1	5KA	5	≤ 1	E505240
HA3R5-470SMDF	470 $\pm 20\%$	<1050	≤ 1150	>1	5KA	5	≤ 1	E505240
HA3R5-600SMDF	600 $\pm 20\%$	<1200	≤ 1300	>1	5KA	5	≤ 1	E505240

Packing Quantity : 1000PCS

Specifications are subject to change without notice

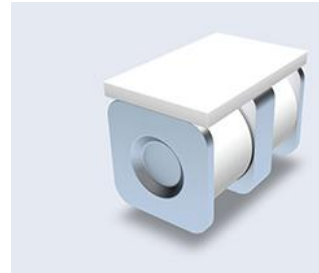
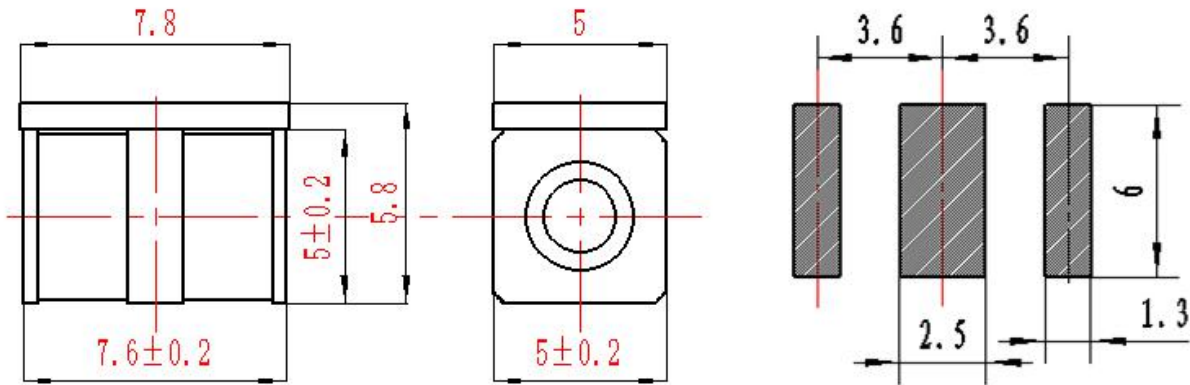
sales@huaandz.com

2-Electrode Gas Discharge Tubes

10KA



1: Dimension(mm)



2: Main Applications

- PCI Cards protection
- Telephone/Fax/Modem protection
- single line protection
- ADSL/XDSL Splitter, Power Supply
- Surge Protection Device/Surge Protector

3: Features

- 100% Lead-Free (RoHS Compliant)
- Non-Radioactive
- Low capacitance ($\leq 1\text{pF}$)
- Small size : Ø5x7.8(mm)
- Safety certification File number: E505240

4 Electrical Characteristics

Part Number	DC Spark-over Voltage@ 100V/S	Impulse Spark-over Voltage @100V/ μs	Impulse Spark-over Voltage @1KV/ μs	Insulation Resistance	Impulse discharge current(8/20 μs)	AC discharge current (50Hz, 1s, 10times)	Capacitance (1MHz)	UL Certificate
	V	V	V	G Ω	10 Times	A	PF	UL File number
HA3R5-75MSMDF	75 $\pm 20\%$	<450	<550	>1	10KA	10	≤ 1	E505240
HA3R5-90MSMDF	90 $\pm 20\%$	<450	<550	>1	10KA	10	≤ 1	E505240
HA3R5-150MSMDF	150 $\pm 20\%$	<500	<600	>1	10KA	10	≤ 1	E505240
HA3R5-200MSMDF	200 $\pm 20\%$	<500	<600	>1	10KA	10	≤ 1	E505240
HA3R5-230MSMDF	230 $\pm 20\%$	<600	<700	>1	10KA	10	≤ 1	E505240
HA3R5-250MSMDF	250 $\pm 20\%$	<600	<700	>1	10KA	10	≤ 1	E505240
HA3R5-300MSMDF	300 $\pm 20\%$	<600	<700	>1	10KA	10	≤ 1	E505240
HA3R5-350MSMDF	350 $\pm 20\%$	<900	≤ 1000	>1	10KA	10	≤ 1	E505240
HA3R5-400MSMDF	400 $\pm 20\%$	<900	≤ 1000	>1	10KA	10	≤ 1	E505240
HA3R5-420MSMDF	420 $\pm 20\%$	<900	≤ 1000	>1	10KA	10	≤ 1	E505240
HA3R5-470MSMDF	470 $\pm 20\%$	<1050	≤ 1150	>1	10KA	10	≤ 1	E505240
HA3R5-600MSMDF	600 $\pm 20\%$	<1200	≤ 1300	>1	10KA	10	≤ 1	E505240

Packing Quantity : 1000PCS

Specifications are subject to change without notice

sales@huaandz.com