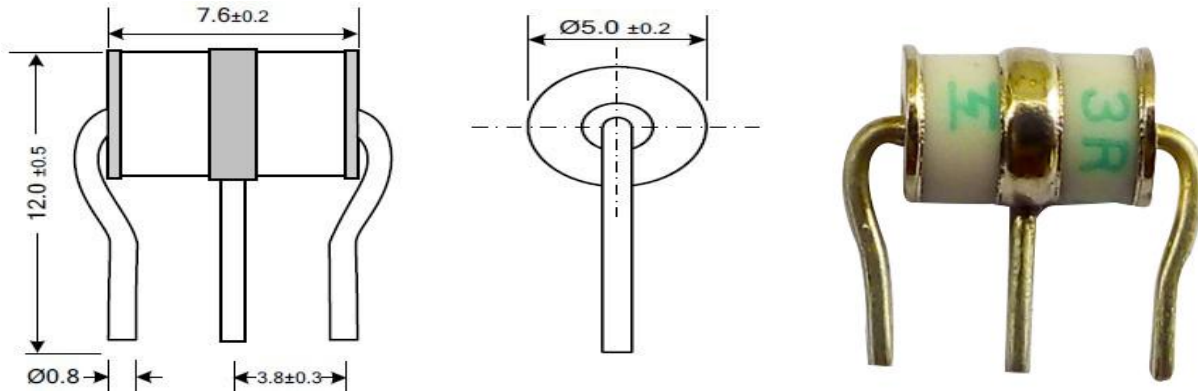


## 2-Electrode Gas Discharge Tubes

5KA



### 1: Dimension(mm)



### 2: Main Applications

- PCI Cards protection
- Telephone/Fax/Modem protection
- single line protection
- ADSL/XDSL Splitter, Power Supply
- Surge Protection Device/Surge Protector

### 3: Features

- 100% Lead-Free (RoHS Compliant)
- Non-Radioactive
- Low capacitance ( $\leq 1\text{pF}$ )
- Small size :  $\text{Ø}5\text{x}7.6\text{(mm)}$
- Safety certification: File number: E505240

### 4 Electrical Characteristics

Part Number	DC Spark-over Voltage@ 100V/S	Impulse Spark-over Voltage @100V/ $\mu\text{s}$	Impulse Spark-over Voltage @1KV/ $\mu\text{s}$	Insulation Resistance	Impulse discharge current(8/20 $\mu\text{s}$ )	AC discharge current (50Hz, 1s, 10times)	Capacitance (1MHz)	UL Certificate
	V	V	V	G $\Omega$	10 Times	A	PF	UL File number
HA3R5-75	75 $\pm 20\%$	<450	<550	>1	5KA	5	$\leq 1$	E505240
HA3R5-90	90 $\pm 20\%$	<450	<550	>1	5KA	5	$\leq 1$	E505240
HA3R5-150	150 $\pm 20\%$	<500	<600	>1	5KA	5	$\leq 1$	E505240
HA3R5-200	200 $\pm 20\%$	<500	<600	>1	5KA	5	$\leq 1$	E505240
HA3R5-230	230 $\pm 20\%$	<600	<700	>1	5KA	5	$\leq 1$	E505240
HA3R5-250	250 $\pm 20\%$	<600	<700	>1	5KA	5	$\leq 1$	E505240
HA3R5-300	300 $\pm 20\%$	<600	<700	>1	5KA	5	$\leq 1$	E505240
HA3R5-350	350 $\pm 20\%$	<900	$\leq 1000$	>1	5KA	5	$\leq 1$	E505240
HA3R5-400	400 $\pm 20\%$	<900	$\leq 1000$	>1	5KA	5	$\leq 1$	E505240
HA3R5-420	420 $\pm 20\%$	<900	$\leq 1000$	>1	5KA	5	$\leq 1$	E505240
HA3R5-470	470 $\pm 20\%$	<1050	$\leq 1150$	>1	5KA	5	$\leq 1$	E505240
HA3R5-600	600 $\pm 20\%$	<1200	$\leq 1300$	>1	5KA	5	$\leq 1$	E505240

Packing Quantity : 100PCS

Specifications are subject to change without notice

[sales@huaandz.com](mailto:sales@huaandz.com)