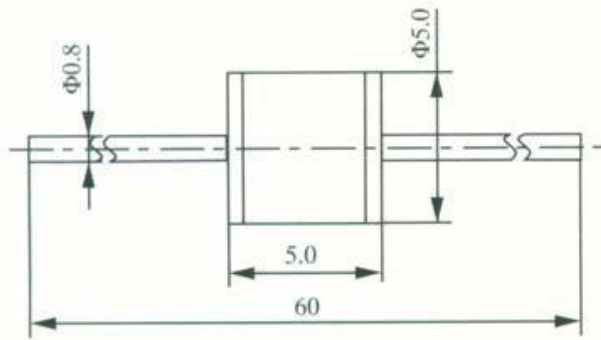


2-Electrode Gas Discharge Tubes

1: Dimension(mm)

5KA



2: Main Applications

- PCI Cards protection
- Telephone/Fax/Modem protection
- single line protection
- ADSL/XDSL Splitter, Power Supply
- Surge Protection Device/Surge Protector

- 100% Lead-Free (RoHS Compliant)
- Non-Radioactive
- Low capacitance ($\leq 1\text{pF}$)
- Fast Response-time, High Insulation Resistance.
- Small size : Ø5x5(mm)

4 Electrical Characteristics

Part Number	DC Spark-over Voltage @ 100V/S	Impulse Spark-over Voltage @ 100V/ μs	Impulse Spark-over Voltage @ 1KV/ μs	Insulation Resistance	Impulse discharge current (8/20 μs) 10 Times	AC discharge current (50Hz, 1s, 10time s)	Capacitance (1MHz)
	V	V	V	G Ω		A	PF
H2R5-75L	75 \pm 20%	<500	<600	>1	5KA	5	≤ 1
H2R5-90L	90 \pm 20%	<500	<600	>1	5KA	5	≤ 1
H2R5-150L	150 \pm 20%	<500	<600	>1	5KA	5	≤ 1
H2R5-230L	230 \pm 20%	<600	<700	>1	5KA	5	≤ 1
H2R5-250L	250 \pm 20%	<600	<700	>1	5KA	5	≤ 1
H2R5-350L	350 \pm 20%	<900	≤ 1000	>1	5KA	5	≤ 1
H2R5-420L	420 \pm 20%	<900	≤ 1000	>1	5KA	5	≤ 1
H2R5-470L	470 \pm 20%	<1100	≤ 1200	>1	5KA	5	≤ 1
H2R5-600L	600 \pm 20%	<1200	≤ 1300	>1	5KA	5	≤ 1

Packing Quantity : 100PCS

Specifications are subject to change without notice

sales@huaandz.com