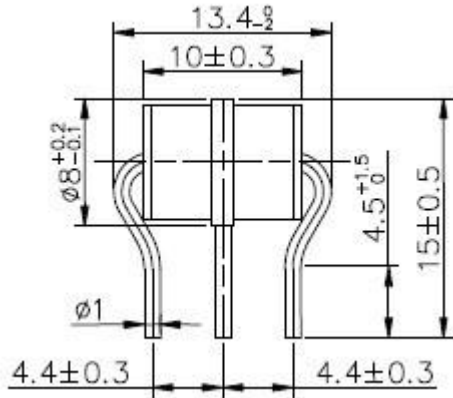


3-Electrode Gas Discharge Tubes

20KA

1: Dimension(mm)



2: Main Applications

- PCI Cards protection
- Telephone/Fax/Modem protection
- single line protection
- ADSL/XDSL Splitter, Power Supply
- Surge Protection Device/Surge Protector

- 100% Lead-Free (RoHS Compliant)
- Non-Radioactive
- Low capacitance ($\leq 1\text{pF}$)
- Fast Response-time, High Insulation Resistance.
- Small size : Ø8x10(mm)

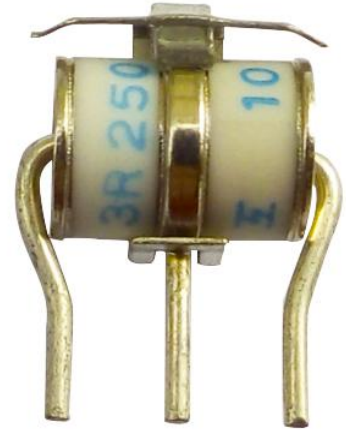
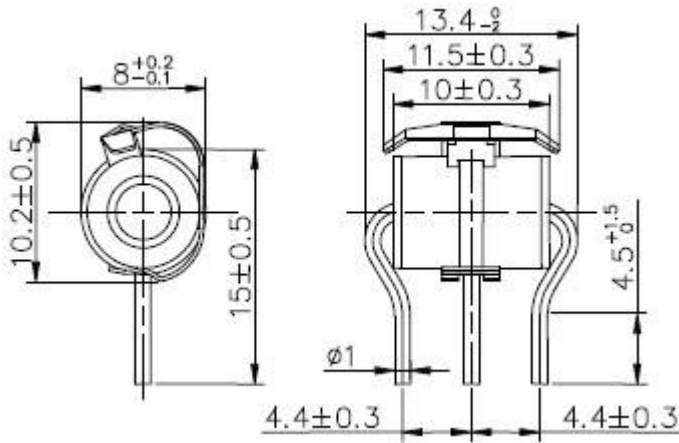
4 Electrical Characteristics

Part Number	DC Spark-over Voltage @ 100V/S	Impulse Spark-over Voltage @ 100V/ μs	Impulse Spark-over Voltage @ 1KV/ μs	Insulation Resistance	Impulse discharge current (8/20 μs)	AC discharge current (50Hz, 1s, 10times)	Capacitance (1MHz)
	V	V	V	G Ω	10 Times	A	PF
H3R8-75H	75 \pm 20%	<500	<600	>1	20KA	20	≤ 1
H3R8-90H	90 \pm 20%	<500	<600	>1	20KA	20	≤ 1
H3R8-150H	150 \pm 20%	<500	<600	>1	20KA	20	≤ 1
H3R8-230H	230 \pm 20%	<600	<700	>1	20KA	20	≤ 1
H3R8-250H	250 \pm 20%	<600	<700	>1	20KA	20	≤ 1
H3R8-350H	350 \pm 20%	<900	≤ 1000	>1	20KA	20	≤ 1
H3R8-420H	420 \pm 20%	<900	≤ 1000	>1	20KA	20	≤ 1
H3R8-470H	470 \pm 20%	<1100	≤ 1200	>1	20KA	20	≤ 1
H3R8-600H	600 \pm 20%	<1200	≤ 1300	>1	20KA	20	≤ 1

1: Dimension(mm)

continued

20KA



With Fail-safe

2 Electrical Characteristics

Part Number	DC Spark-over Voltage @ 100V/S	Impulse Spark-over Voltage @100V/μs	Impulse Spark-over Voltage @1KV/μs	Insulation Resistance	Impulse discharge current(8/20μs)	AC discharge current (50Hz, 1s, 10times)	Capacitance (1MHz)
With Fail-safe	V	V	V	GΩ	10 Times	A	PF
H3R8-75HF2	75±20%	<500	<600	>1	20KA	20	≤1
H3R8-90HF2	90±20%	<500	<600	>1	20KA	20	≤1
H3R8-150HF2	150±20%	<500	<600	>1	20KA	20	≤1
H3R8-230HF2	230±20%	<600	<700	>1	20KA	20	≤1
H3R8-250HF2	250±20%	<600	<700	>1	20KA	20	≤1
H3R8-350HF2	350±20%	<900	≤ 1000	>1	20KA	20	≤1
H3R8-420HF2	420±20%	<900	≤ 1000	>1	20KA	20	≤1
H3R8-470HF2	470±20%	<1100	≤ 1200	>1	20KA	20	≤1
H3R8-600HF2	600±20%	<1200	≤ 1300	>1	20KA	20	≤1

Packing Quantity : 100PCS

Specifications are subject to change without notice

sales@huaandz.com