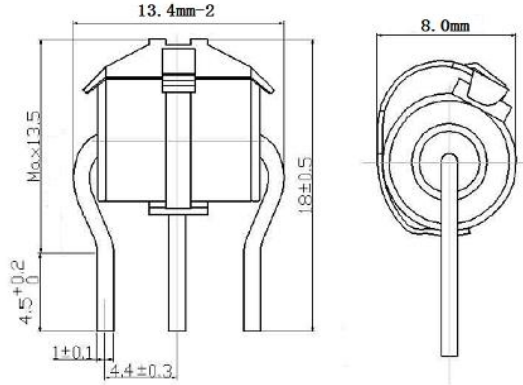


3-Electrode Gas Discharge Tubes

20KA

1: Dimension(mm)

Radial Lead wire ,With Fail safe



2: Main Applications

- PCI Cards protection
- Telephone/Fax/Modem protection
- single line protection
- ADSL/XDSL Splitter, Power Supply
- Surge Protection Device/ Surge Protector

3: Features

- 100% Lead-Free (RoHS Compliant)
- Non-Radioactive
- Low capacitance: ≤1pF
- Small size : Φ8x10mm
- Safety certification: File number: E505240

4 Electrical Characteristics

Part Number	DC Spark-over Voltage @100V/S	Impulse Spark-over Voltage @100V/μs	Impulse Spark-over Voltage @1KV/μs	Insulation Resistance GΩ	Impulse discharge current 8/20μs 10 Times	Impulse Life 300 hits 10x1000μs	AC discharge current 50Hz, 1s 10times	Delivery time days	UL Certificate UL497B
HA3R8-75HF2	75V ±20%	≤500V	≤ 600V	>1GΩ	20KA	200A	10A	15days	E505240
HA3R8-90HF2	90V ±20%	≤500V	≤ 600V	>1GΩ	20KA	200A	10A	15days	E505240
HA3R8-140HF2	140V±20%	≤500V	≤ 600V	>1GΩ	20KA	200A	10A	15days	E505240
HA3R8-150HF2	150V±20%	≤500V	≤ 600V	>1GΩ	20KA	200A	10A	15days	E505240
HA3R8-200HF2	200V±20%	≤600V	≤ 700V	>1GΩ	20KA	200A	10A	15days	E505240
HA3R8-230HF2	230V±20%	≤600V	≤ 700V	>1GΩ	20KA	200A	10A	15days	E505240
HA3R8-250HF2	250V±20%	≤600V	≤ 700V	>1GΩ	20KA	200A	10A	15days	E505240
HA3R8-300HF2	300V±20%	≤800V	≤ 900V	>1GΩ	20KA	200A	10A	15days	E505240
HA3R8-350HF2	350V±20%	≤900V	≤ 1000V	>1GΩ	20KA	200A	10A	15days	E505240
HA3R8-400HF2	400V±20%	≤900V	≤ 1000V	>1GΩ	20KA	200A	10A	15days	E505240
HA3R8-420HF2	420V±20%	≤900V	≤ 1000V	>1GΩ	20KA	200A	10A	15days	E505240
HA3R8-470HF2	470V±20%	≤1100V	≤ 1200V	>1GΩ	20KA	200A	10A	15days	E505240
HA3R8-500HF2	500V±20%	≤1100V	≤ 1200V	>1GΩ	20KA	200A	10A	15days	E505240
HA3R8-550HF2	550V±20%	≤1300V	≤ 1400V	>1GΩ	20KA	200A	10A	15days	E505240
HA3R8-600HF2	600V±20%	≤1300V	≤1400V	>1GΩ	20KA	200A	10A	15days	E505240
HA3R8-800HF2	800V±20%	≤1500V	≤1600V	>1GΩ	20KA	200A	10A	15days	E505240

3-Electrode Gas Discharge Tubes

20KA

1:At delivery AQL 0.65 leave II Military Standard 105 E

2:In ionized mode

3:Test according to ITU-T Rec.k.12

Environmental resistance

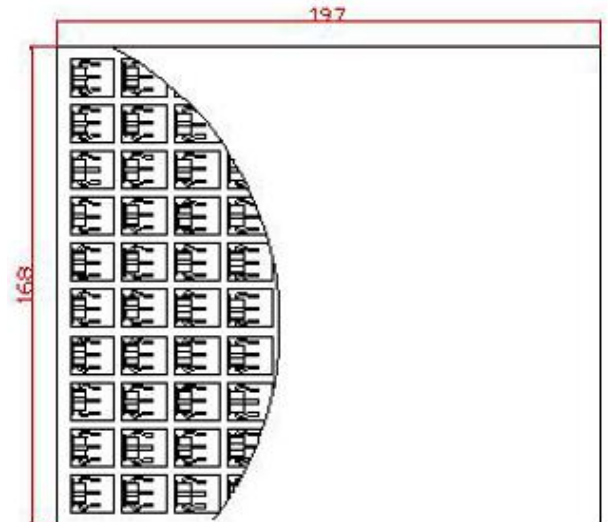
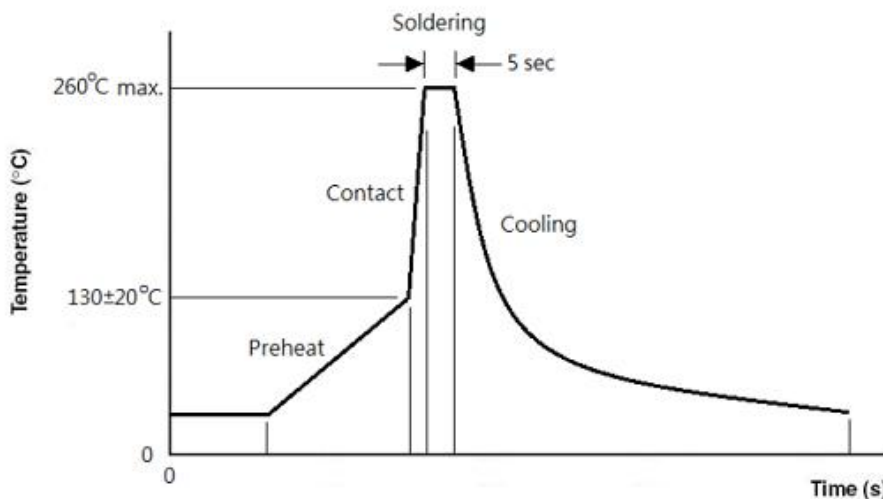
Storage temperature:	-40°C---+90°C
Operating temperature:	-40°C---+90°C
Electrode:	Tin Plated

Example Part Number: HA3R8-90HF2

HA	=	HUAAN
3	=	3 Electrode device
R	=	Gas Discharge Tube
8	=	8mm Diameter
90	=	90V
H	=	High Surge 20KA GDT,Axial Lead Wire
F	=	With Fail Short mechanism
2		Solder pellet fail short mechanism on top

Reflow Soldering Curve

Packaging Information



Packaging Quantity

Part Number	Quantity	
	Per Tray	Per Carton
HA3R8-xxxHF2 Series	100PCS	5000PCS