

Gas Discharge Tubes

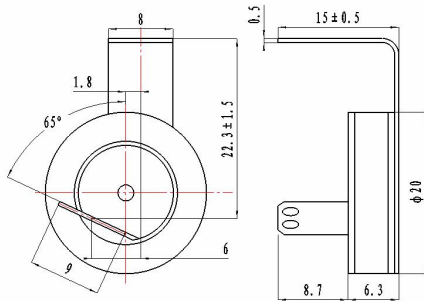
H2R20-600xx

1: Applications

- AC Power line N-PE applications
- Class I and Class II Surge protection



2: Dimension in mm



Specification of H2R20-600xx

Dc spark-over voltage (100V/s)	1)	600V ± 20%
Maximum impulse spark-over voltage @ 5KV/μs(1.2/50us,6kv)		<1800V
Breakdown time		<100ns
- typical values		<20ns
Insulation resistance @DC250V		1000MΩ
Class I according to IEC 61643-11		
Max continuous operating voltage at 50/60 Hz	Uc	260V
Nominal discharge current 8/20μs	In	40KA
Impulse current 10/350μs	Iimp	12.5KA
Follow Current at 50/60Hz at 260V	If	100A
Class II according to IEC 61643-11		
Max continuous operating voltage at 50/60 Hz	Uc	260V
Nominal discharge current 8/20μs	In	40KA
Maximum discharge current 8/20μs	I _{max}	80KA
Follow Current at 50/60Hz at 260V	If	100A
AC discharge current (TOV at 1200V ,1 operation 50Hz,0.2 s)		<300A
capacitance at 1MHz		<4pF
Weight		~ 9g
UL 1449 Certification		
On the UL List		
Delivery time		20days
Operation and storage temperature		-40°C ... +90°C
Marking, Blue		2R600 YY 600 - Nominal voltage YY - Year of production
1) At delivery AQL 0.65 level II Military Standard 105E.		
2) In ionized mode		
Test according to ITU-T Rec. K.12.		

3:Application Figure



What can we do for our GDT?

- 1: We Can customize voltage: 230V,500V,800V...etc
- 2: We Can developed low impulse GDT
- 3: We Can customize $U_c, I_n, I_{max}, I_{imp}, I_f, TOV$.
- 4: We Can developed cut off follow current 100A within 1 cycle when passing zero under AC260V(50Hz)
- 5: We Can customize multi-gap GDT used in DC or AC(L-N) over voltage protection
- 6: We Can customize GDT shape, marking, special Lead wire
- 7: We Can surpass our GDT competitors, help you pass the GDT test project & improve the GDT you currently use.
- 8: We can provide fast GDT delivery, Solve your GDT delivery time problem
- 9: We can help you analyze the competitor's parameters and tell you our perfect replacement GDT part number.