

Gas Discharge Tubes

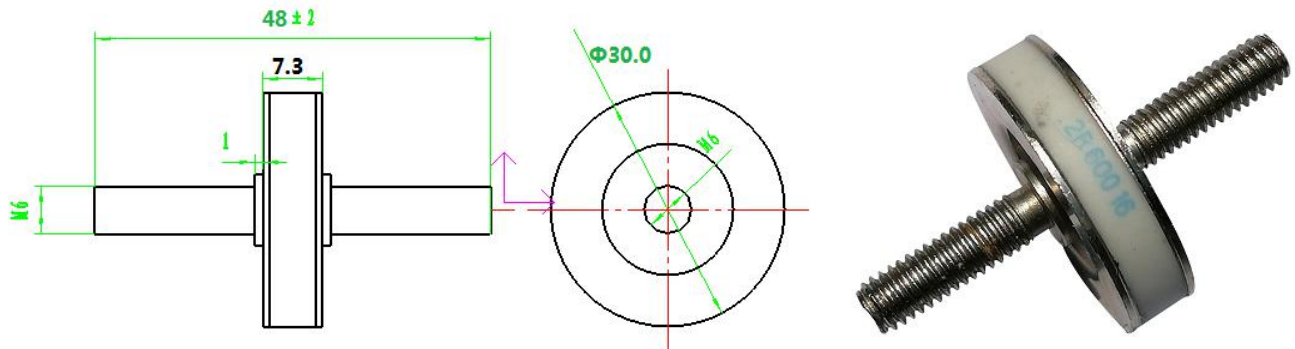
H2R30-600x

1: Applications

- AC Power line N-PE applications
- Class I and Class II Surge protection



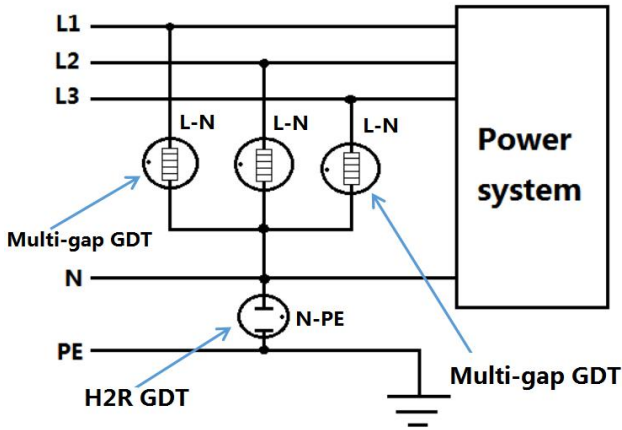
2: Dimension in mm



Specification of H2R30-600x

| | | |
|---|------------------|-------------------------|
| Dc spark-over voltage (100V/s) | 1) | 600V ±20% |
| Maximum impulse spark-over voltage @ 1KV/μs | | 1400V |
| Breakdown time | | <100ns |
| - typical values | | <20ns |
| Insulation resistance @DC250V | | 1000MΩ |
| Class I according to IEC 61643-11 | | |
| Max continuous operating voltage at 50/60 Hz | Uc | 260V |
| Nominal discharge current 8/20μs | In | 60KA |
| Impulse current 10/350μs | Iimp | 25KA |
| Follow Current at 50/60Hz at 260V | If | 100A |
| Class II according to IEC 61643-11 | | |
| Max continuous operating voltage at 50/60 Hz | Uc | 260V |
| Nominal discharge current 8/20μs | In | 60KA |
| Maximum discharge current 8/20μs | I _{max} | 120KA |
| Follow Current at 50/60Hz at 260V | If | 100A |
| AC discharge current (TOV at 1200V ,1 operation 50Hz,0.2 s) | | <300A |
| capacitance at 1MHz | | <6pF |
| Weight | | ~ 27g |
| UL 1449 Certification On the UL List | | |
| Delivery time | | 20days |
| Operation and storage temperature | | -40°C ... +90°C |
| Marking, Blue | 2R 600 | 600 - Nominal voltage |
| Approvals/ Standards EN61643-311 ITU-T Rec. K.12 | YY | YY - Year of production |

3:Application Figure



What can we do for our GDT?

- 1: We Can customize voltage: 230V,500V,800V...etc
- 2: We Can developed low impulse GDT
- 3: We Can customize $U_c, I_n, I_{max}, I_{lim}, I_f, TOV$.
- 4: We Can developed cut off follow current 100A within 1 cycle when passing zero under AC260V(50Hz)
- 5: We Can customize multi-gap GDT used in DC or AC(L-N) over voltage protection
- 6: We Can customize GDT shape, marking, special Lead wire
- 7: We Can surpass our GDT competitors, help you pass the GDT test project & improve the GDT you currently use.
- 8: We can provide fast GDT delivery, Solve your GDT delivery time problem
- 9: We can help you analyze the competitor's parameters and tell you our perfect replacement GDT part number.