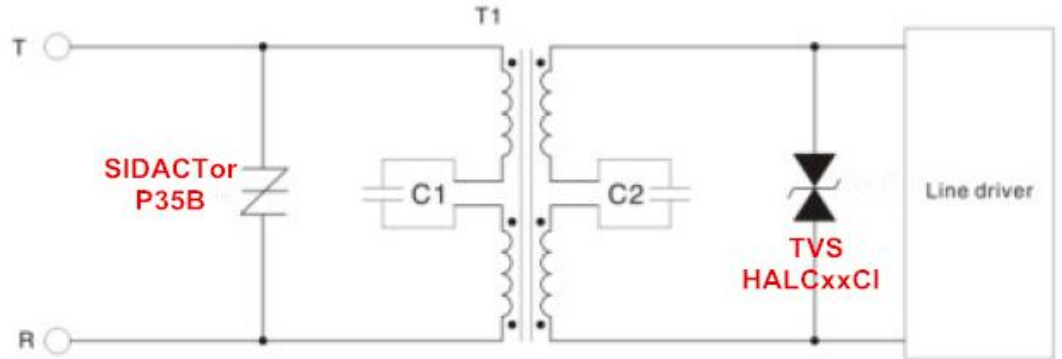


▼ Solution1(xDSL CPE):

Testing Standard:

- 1:ITU-T K.21
- 10/700us
- DM:4KV
- 3: FCC Part68
- Type A/B

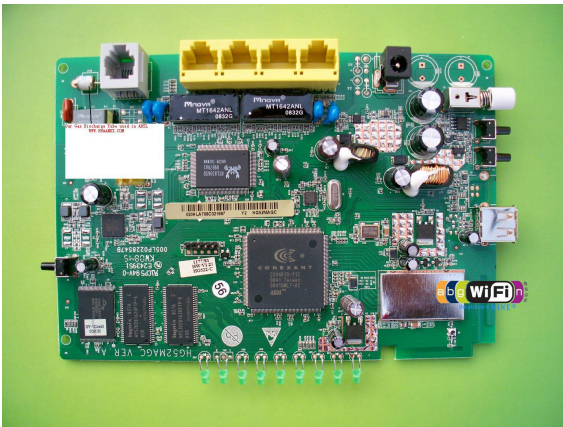


Specification.....

Part Number	V_{DRM} @ $I_{DRM}=5\mu A$	V_s @ $100V/\mu s$	I_H	I_s	I_T	V_T @ $I_T=2.2A_{rms}$ ps	Capacitance @ $1MHz, 2V$ bias
	V_{min}	V_{max}	mA_{min}	mA_{max}	A_{max}	V_{max}	pF
P35B	320	400	150	800	2.2	4	35

Part Number	VRWM	VBR	IR (uA)	Co Typical value	Vc		Ppp 8/20us	Package
	V	V	(uA)	pF	V_{max}	IPP(A)	W	
HALC05CI	5.0	6.0	5.0	1.5	18.3	8	350	SOD-323
HALC08CI	8.0	8.5	2.0	1.5	18.5	8	350	SOD-323
HALC12CI	12.0	13.3	1.0	1.5	28.6	6	350	SOD-323
HALC15CI	15.0	16.7	1.0	1.5	31.8	5	350	SOD-323
HALC24CI	24.0	26.7	1.0	1.5	56.0	3	350	SOD-323

Application product(ADSL Modem,VDSL Modem,XDSL Modem,network switch, PON,Router....etc):



Statement: These solution is only for reference, The final solution will be based on the actual test results, HUAAN LIMITED will have the right of final explanation.

sales@huaandz.com

abc0734@126.com

1

HUAAN LIMITED

www.huaandz.com

Tel:+86-755-27465585