

▼ Solution1(xDSL CO):

Testing Standard:

1:ITU-T K.21

10/700us

DM:1.5KV

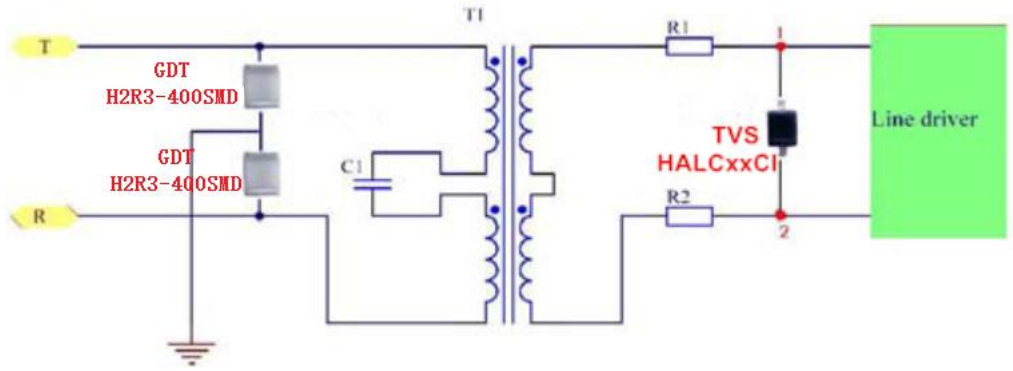
CM: 6KV

2:IEC61000-4-5

Combination wave

DM:2KV

CM: 4KV

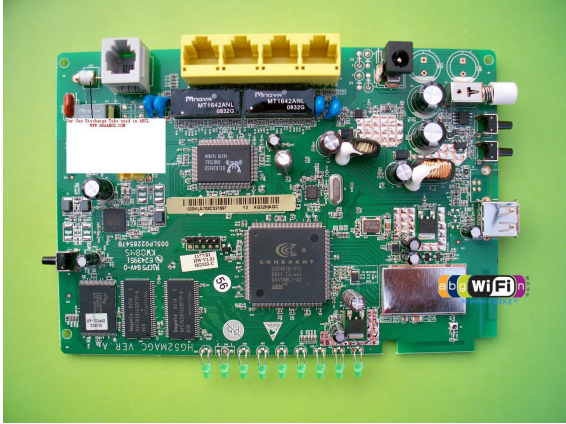


Specification.....

Part Number	DC Spark-over Voltage @ 100V/S	Impulse Spark-over Voltage @100V/μs	Impulse Spark-over Voltage @1KV/μs	Insulation Resistance	Impulse discharge current(8/20μs)	AC discharge current (50Hz, 1s, 10times)	Capacitance (1MHz)
GDT	V	V	V	GΩ	10 Times	A	PF
H2R3-400SMD	400±20%	<700	<750	>1	1000A	1	≤1

Part Number	VRWM	VBR	IR (uA)	Co Typical value	Vc		Ppp 8/20us	Package
					V max	IPP(A)		
ESD TVS	V	V	(uA)	pF	V max	IPP(A)	W	
HALC05CI	5.0	6.0	5.0	1.5	18.3	8	350	SOD-323
HALC08CI	8.0	8.5	2.0	1.5	18.5	8	350	SOD-323
HALC12CI	12.0	13.3	1.0	1.5	28.6	6	350	SOD-323
HALC15CI	15.0	16.7	1.0	1.5	31.8	5	350	SOD-323
HALC24CI	24.0	26.7	1.0	1.5	56.0	3	350	SOD-323

Application product(ADSL Modem,VDSL Modem,XDSL Modem,network switch, PON,Router....etc):



Statement: These solution is only for reference, The final solution will be based on the actual test results, HUAAN LIMITED will have explanation.

sales@huaandz.com

abc0734@126.com