

▼Solution4 Surge level: 10/700 μ s 6KV and 1.2/50 μ s 6KV:

transmission frequency:10M,

Surge level
IEC61000-4-5

10/700 μ s: 6KV

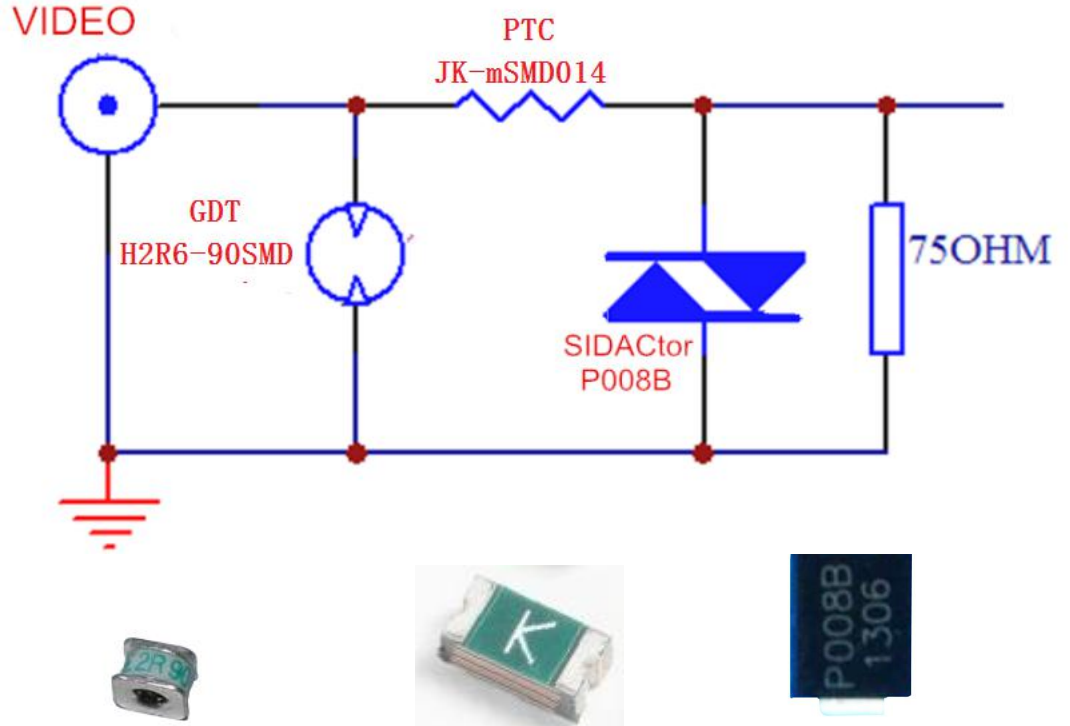
1.2/50 μ s: 6KV

8/20 μ s : 3KA

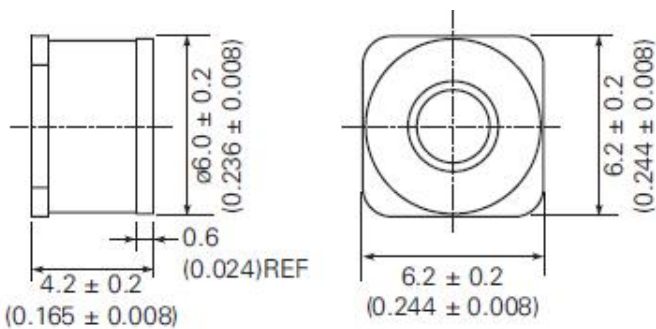
IEC61000-4-2

CONTACT DISCHARGE :8KV

AIR DISCHARGE :15KV



Specification.....



Part Number	DC Spark-over Voltage @ 100V/S	Impulse Spark-over Voltage @100V/ μ s	Impulse Spark-over Voltage @1KV/ μ s	Insulation Resistance	Impulse discharge current(8/20 μ s)	AC discharge current (50Hz,1s,10times)	Capacitance (1MHz)
GDT	V	V	V	G Ω	10 Times	A	PF
H2R6-90SMD	90 \pm 20%	<500	<600	>1	5KA	5	\leq 1

Part Number	V _{max}	I _{max}	I _h	R _{max}	R _{min}	P _d
PTC	V	A	A	Ω	Ω	w
JK-mSMD014	60	100	0.14	6	0.65	0.8

Part Number	V _{DRM} @I _{DRM} =5 μ A	V _S @100V/μs	I _H	I _S	I _T	V _T @I _T =2.2Amps	Capacitance @1MHz,2V bias	Package
SIDCAtor	V _{min}	V _{max}	mA _{min}	mA _{max}	A _{max}	V _{max}	pF	
P008B	6	25	50	800	2.2	4	70	SMB

Application product(CCTV camera, DVR , STB, Digital Satellite Receiver...etc):



Statement: These solution is only for reference, The final solution will be based on the actual test results, HUAAN LIMITED will have the right of final explanation.

sales@huaandz.com

abc0734@126.com