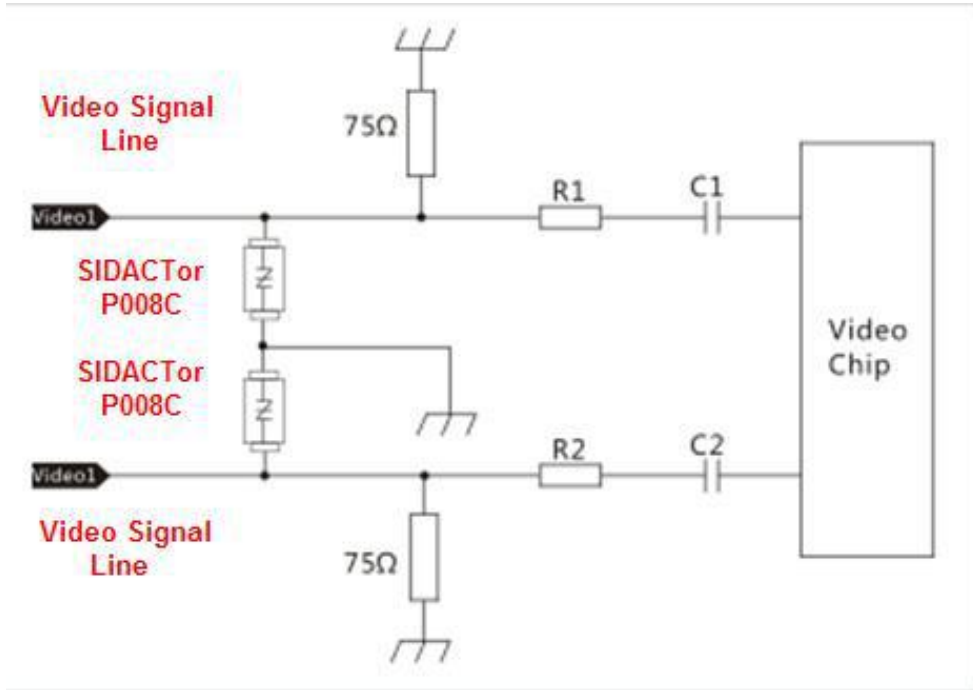


▼Solution4 Surge level: 10/700  $\mu$ s 6KV



### Specification.....

Part Number	V <sub>DRM</sub> @I <sub>DRM</sub> = 5 $\mu$ A	V <sub>s</sub> @100 V/ $\mu$ s	I <sub>H</sub>	I <sub>s</sub>	I <sub>T</sub>	V <sub>T</sub> @I <sub>T</sub> =2.2Amps	Capacitance @1MHz,2V bias	impulse withstand voltage	Package
SIDACTor	V <sub>min</sub>	V <sub>max</sub>	mA <sub>min</sub>	mA <sub>max</sub>	A <sub>max</sub>	V <sub>max</sub>	pF	10/700us	
<b>P008C</b>	6	25	50	800	2.2	4	100	6KV	SMB

Application product(CCTV camera, DVR , STB, Digital Satellite Receiver...etc):



Statement: These solution is only for reference, The final solution will be based on the actual test results, HUAAN LIMITED will have the right of final explanation.

[sales@huaandz.com](mailto:sales@huaandz.com)

[abc0734@126.com](mailto:abc0734@126.com)