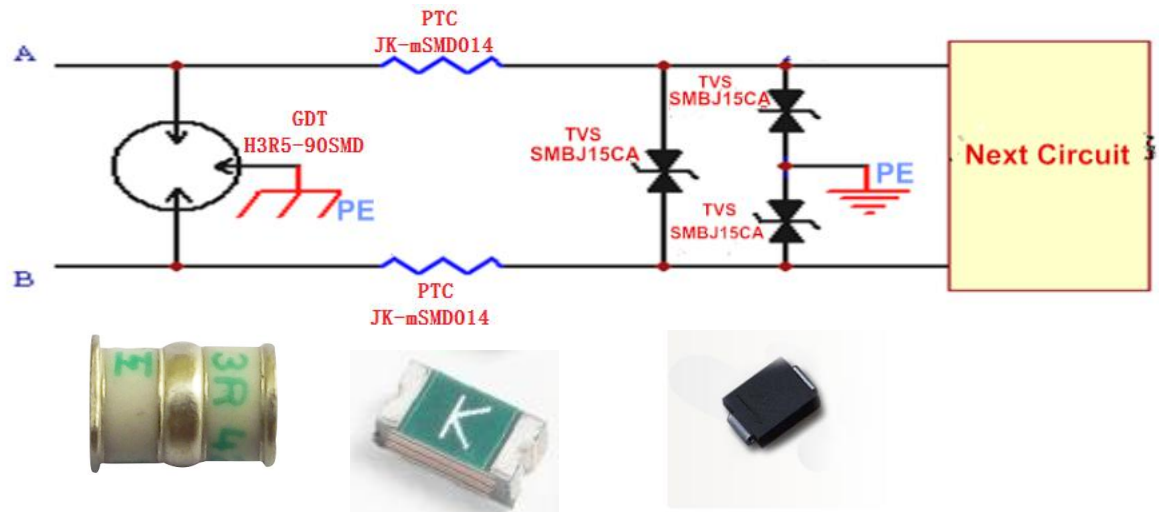


▼ Solution1(RS232):

10/700us:
6KV/150A
1.2/50us-8/20us:
6KV-3KA



Specification.....

Part Number	DC Spark-over Voltage @ 100V/S	Impulse Spark-over Voltage @100V/μs	Impulse Spark-over Voltage @1KV/μs	Insulation Resistance	Impulse discharge current(8/20μs)	AC discharge current (50Hz,1s,10time s)
GDT	V	V	V	GΩ	10 Times	A
H3R5-90SMD	90±20%	<500	<600	>1	5KA	5

Part Number	Vmax	I max	Ih	Rmax	Rmin	Pd
PTC	V	A	A	Ω	Ω	w
JK-mSMD014	60	100	0.14	6	0.65	0.8

Part Number	Vbr	Ir	Vrwm	Ipp 10/1000us	Vc	Package
TVS	V	uA	V	A	V	
SMBJ15CA	16.7-18.5	800	15	24.6	24.4	SMB

Application product(Video server, access controller ,Electricity meter ,Water meter,optical transmitter and receiver....etc):

Use DIP component

▼Solution 2(RS232):

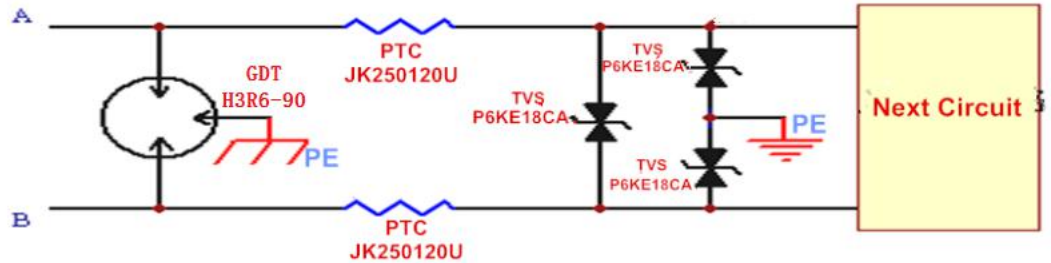
Surge level:

IEC61000-4-5

10/700us:6KV/150A

1.2/50us-8/20us:

6KV-3KA



Specification.....

Part Number	DC Spark-over Voltage @ 100V/S	Impulse Spark-over Voltage @100V/μs	Impulse Spark-over Voltage @1KV/μs	Insulation Resistance	Impulse discharge current(8/20μs)	AC discharge current (50Hz,1s,10times)
GDT	V	V	V	GΩ	10 Times	A
H3R6-90	90±20%	<500	<600	>1	5KA	5

Part Number	Vmax	I max	Ih	Rmax	Rmin	Pd
PTC	V	A	A	Ω	Ω	w
JK250120U	250	10	0.12	11	6	0.8

Part Number	Vbr	Ir	Vrwm	Ipp 10/1000us	Vc	Package
TVS	V	uA	V	A	V	
P6KE18CA	17.1-18.9	5	15.3	24.2	25.2	DO-15

Application product(Video server, access controller ,Electricity meter ,Water meter,optical transmitter and receiver....etc):



A friendly reminder: Any surface mount component and DIP component can alternative use,
(For example: H3R5-90SMD = H3R6-90 , JK250120U = JK-mSMD014 , P6KE18CA = SMBJ15CA)
(So You can also use: H3R6-90 + JK250120U + SMBJ15CA, H3R5-90SMD+ JK250120U+ P6KE18CA ...ETC)
Statement: These solution is only for reference, The final solution will be based on the actual test results, HUAAN LIMITED will have the right of final explanation.

sales@huaandz.com

abc0734@126.com

2

HUAAN LIMITED

www.huaandz.com

Tel:+86-755-27465585