

Solution1(10/100M Ethernet):

Surge level:

IEC61000-4-5

10/700us-5/320us:

CM 6KV/150A

DM 2KV-50A

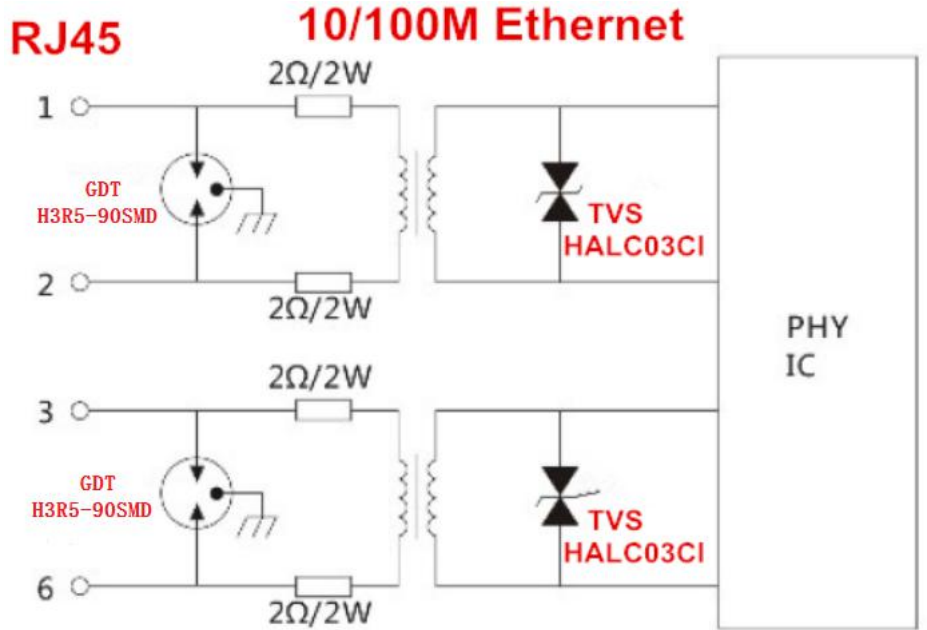
1.2/50us-8/20us:

CM/DM 6KV-3KA

IEC61000-4-2

Contact Discharge: 8kv

Air Discharge : 15kv



### Specification.....

Part Number	DC Spark-over Voltage @ 100V/S	Impulse Spark-over Voltage @100V/μs	Impulse Spark-over Voltage @1KV/μs	Insulation Resistance	Impulse discharge current(8/20μs)	AC discharge current (50Hz,1s,10ti mes)	Capacitance (1MHz)
<b>GDT</b>	V	V	V	GΩ	10 Times	A	PF
<b>H3R5-90SMD</b>	90±20%	<500	<600	>1	5KA	1	≤1

Part Number	VRWM	VBR	IR (uA)	Co Typical value	Vc		Ppp 8/20us	Package
<b>ESD TVS</b>	V	V	(uA)	pF	V max	IPP(A)	W	
<b>HALC03CI</b>	<b>3.0</b>	<b>4.0</b>	<b>20.0</b>	<b>1.5</b>	<b>13.9</b>	<b>8</b>	<b>350</b>	<b>SOD-323</b>

Statement: These solution is only for reference, The final solution will be based on the actual test results, HUAAN LIMITED will have the right of final explanation.

[sales@huaandz.com](mailto:sales@huaandz.com)

[abc0734@126.com](mailto:abc0734@126.com)

1

---

HUAAN LIMITED

[www.huaandz.com](http://www.huaandz.com)

Tel:+86-755-27465585