

Solution1(10/100M Ethernet):

Surge level:

IEC61000-4-5

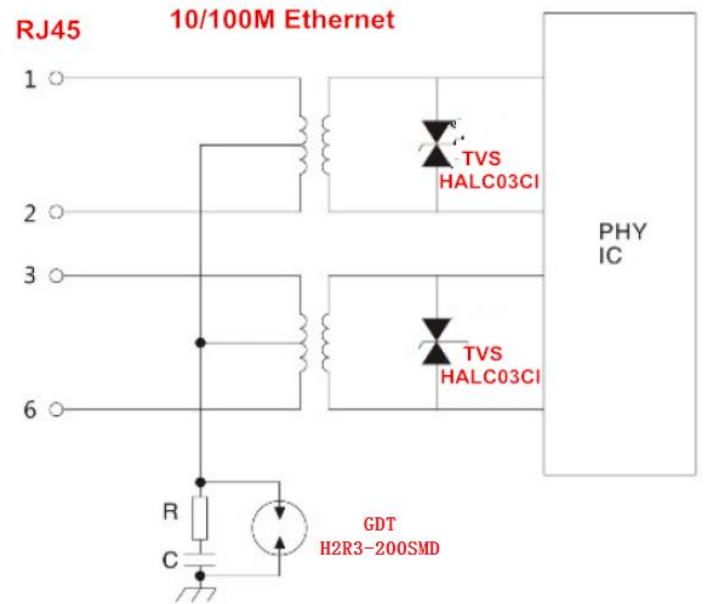
10/700us:

CM 4KV/100A

IEC61000-4-2

Contact Discharge: 8kv

Air Discharge : 15kv



### Specification.....

Part Number	DC Spark-over Voltage @ 100V/S	Impulse Spark-over Voltage @100V/μs	Impulse Spark-over Voltage @1KV/μs	Insulation Resistance	Impulse discharge current(8/20μs)	AC discharge current (50Hz, 1s, 10times)	Capacitance (1MHz)
<b>GDT</b>	V	V	V	GΩ	10 Times	A	PF
<b>H2R3-200SMD</b>	200±30%	<500	<600	>1	1000A	1	≤1

Part Number	VRWM	VBR	IR (uA)	Co Typical value	Vc		Ppp 8/20us	Package
<b>ESD TVS</b>	V	V	(uA)	pF	V <sub>max</sub>	IPP(A)	W	
<b>HALC03CI</b>	3.0	4.0	20.0	1.5	13.9	8	350	SOD-323

Statement: These solution is only for reference, The final solution will be based on the actual test results, HUAAN LIMITED will have the right of final explanation.

sales@huaandz.com

abc0734@126.com