

▼ Solution:

Surge level:

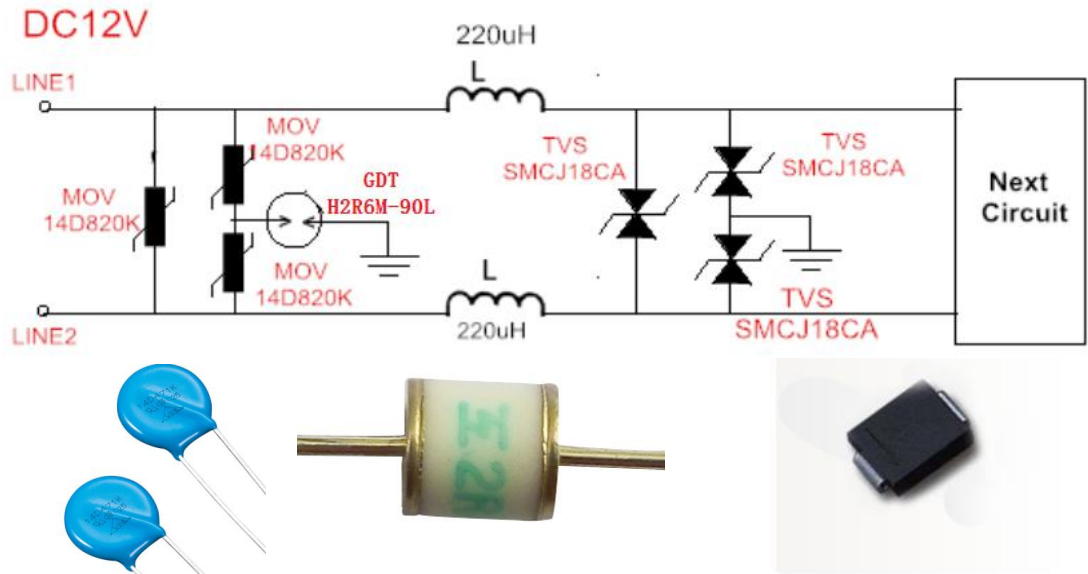
IEC61000-4-5

10/700us

6KV /150A

1.2/50us &8/20us

6KV /3KA



Specification.....

Part Number	Varistor Voltage @1mA	Withstanding surge current 8/20us	Maximum Clamping Voltage
MOV	V	A	V
14D820K	74-90	4500	135

Part Number	DC Spark-over Voltage @ 100V/S	Impulse Spark-over Voltage @100V/μs	Impulse Spark-over Voltage @1KV/μs	Insulation Resistance	Impulse discharge current(8/20 μs)	AC discharge current (50Hz, 1s, 10ti mes)	Capacitance (1MHz)
GDT	V	V	V	GΩ	10 Times	A	PF
H2R6M-90L	90±20%	<500	≤ 600	>1	5KA	5	≤1

Part Number	Vbr	Ir	Vrwm	Ipp	Vc	Package
TVS	V	uA	V	A	V	
SMCJ18CA	20-22.1	5	18	51.37	29.2	SMC

Application product(Power):



深圳市士安电子科技有限公司



Statement: These solution is only for reference, The final solution will be based on the actual test results, HUAAN LIMITED will have the right of final explanation.

sales@huaandz.com

abc0734@126.com

1

HUAAN LIMITED

www.huaandz.com

Tel:+86-755-27465585