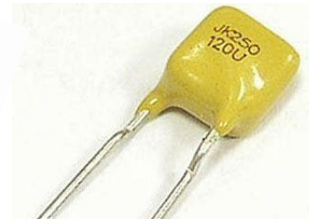
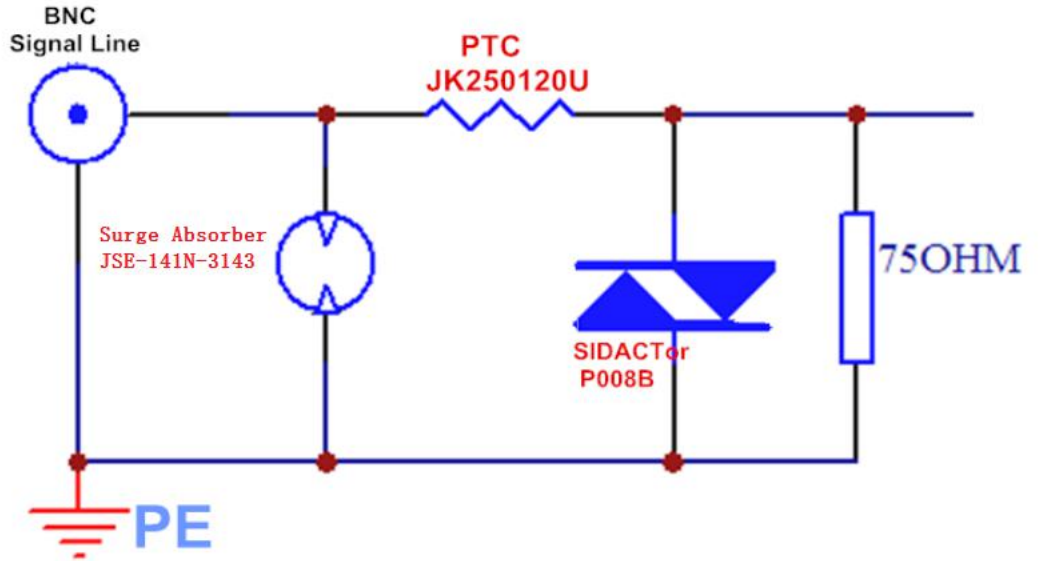


▼ Solution4

Surge level
IEC61000-4-5
10/700us: 6KV/150A
1.2/50us: 6KV
8/20us: 2KA
IEC61000-4-2
CONTACT DISCHARGE :8KV
AIR DISCHARGE :15KV



Specification.....

Part Number	DC Spark-over Voltage @ 100V/S	Impulse Spark-over Voltage @1KV/μs	Insulation Resistance	Impulse discharge current(8/20μs)	Surge Life Test 10/700us	Capacitance (1KHz)
Surge Absorber	V	V	mΩ	10 Times	10times	PF
JSE-141N-3143	140±30%	≤ 450	>100	3000A	6KV,150A	≤1

Part Number	Vmax	I max	Ih	Rmax	Rmin	Pd
PTC	V	A	A	Ω	Ω	w
JK250120U	250	10	0.12	11	6	0.8

Part Number	V _{DRM} @I _{DRM} =5 μ A	V _s @100V/μs	I _H	I _s	I _T	V _T @I _T =2.2Amps	Capacitance @1MHz,2V bias	Package
SIDCAtor	V _{min}	V _{max}	mA _{min}	mA _{max}	A _{max}	V _{max}	pF	
P008B	6	25	50	800	2.2	4	70	SMB

Application product(BNC Port...etc):



Statement: These solution is only for reference, The final solution will be based on the actual test results, HUAAN LIMITED will have the right of final explanation.

sales@huaandz.com

abc0734@126.com

1

HUAAN LIMITED

www.huaandz.com

Tel:+86-755-27465585