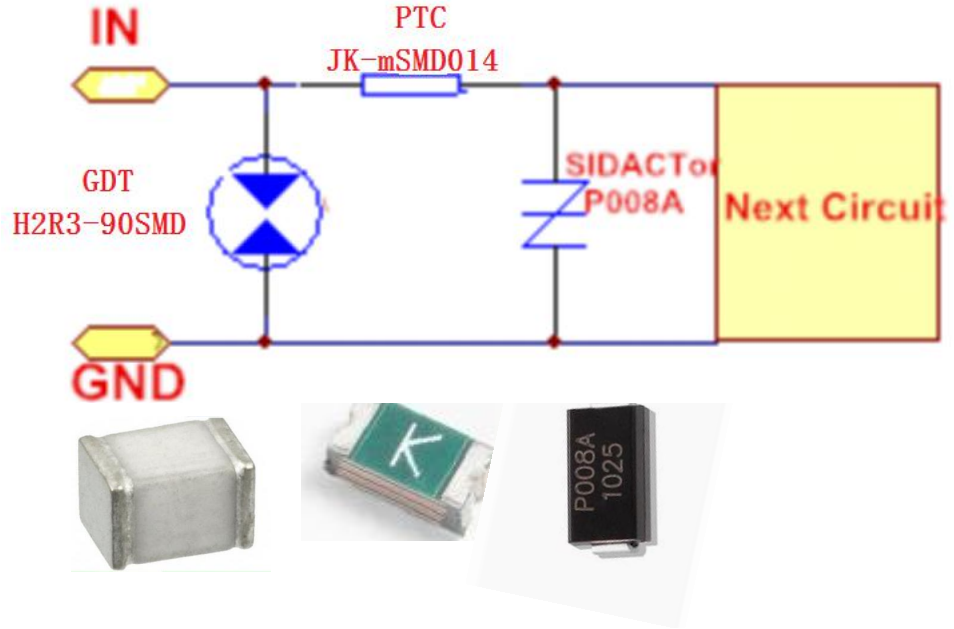


▼Solution4 Surge level: 10/700 μ s 4KV:

Surge level
IEC61000-4-5
10/700 μ s: 4KV
8/20 μ s : 1KA
IEC61000-4-2
CONTACT DISCHARGE :8KV
AIR DISCHARGE :15KV



Specification.....

Part Number	DC Spark-over Voltage @ 100V/S	Impulse Spark-over Voltage @100V/ μ s	Impulse Spark-over Voltage @1KV/ μ s	Insulation Resistance	Impulse discharge current(8/20 μ s)	AC discharge current (50Hz, 1s, 10ti mes)	Capacitance (1MHz)
GDT	V	V	V	G Ω	A	A	PF
H2R3-90SMD	90 \pm 20%	<500	<600	>1	1KA	5	\leq 1

Part Number	Vmax	I max	Ih	Rmax	Rmin	Pd
PTC	V	A	A	Ω	Ω	w
JK-mSMD014	60	100	0.14	6	0.65	0.8

Part Number	V _{DRM} @I _{DRM} =5 μ A	V _S @100V/ μ s	I _H	I _S	I _T	V _T @I _T =2.2Amps	Capacitance @1MHz, 2V bias	Package
SIDACTor	V _{min}	V _{max}	mA _{min}	mA _{max}	A _{max}	V _{max}	pF	
P008A	6	25	50	800	2.2	4	35	SMA

Application product(Audio Port ...etc):



Statement: These solution is only for reference, The final solution will be based on the actual test results, HUAAN LIMITED will have the right of final explanation.

sales@huaandz.com

abc0734@126.com

1

HUAAN LIMITED

www.huaandz.com

Tel:+86-755-27465585