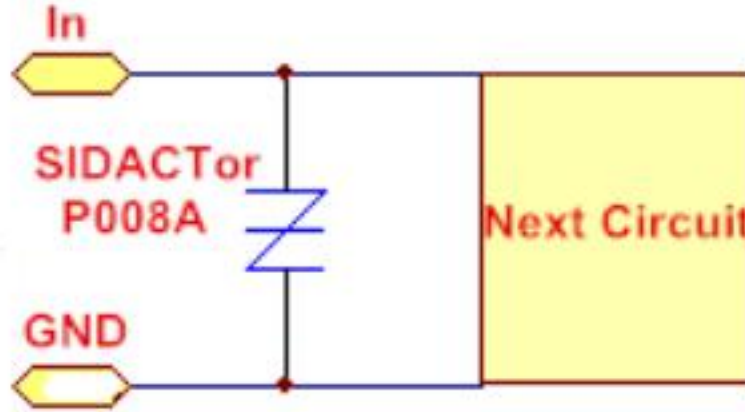


▼Solution1 Surge level: 10/700 μ s 2KV



Specification.....

Part Number	V _{DRM} @I _{DRM} =5 μ A	V _s @100 V/ μ s	I _H	I _s	I _T	V _T @I _T =2.2Amps	Capacitance @1MHz,2V bias	impulse withstand voltage	Package
SIDACT or	V _{min}	V _{max}	mA _{min}	mA _{max}	A _{max}	V _{max}	pF	10/700us	
P008A	6	25	50	800	2.2	4	45	2KV	SMA

Application product(Audio Port ...etc):



Statement: These solution is only for reference, The final solution will be based on the actual test results, HUAAN LIMITED will have the right of final explanation.

sales@huaandz.com

abc0734@126.com